

SELF-PROPELLED VERTICAL LIFTS

PARTS MANUAL

(For AMWP8-1100/ AMWP9.5-1100)



WARNING

THE MANUFACTURER SHALL NOT BE HELD LIABLE IN CASE OF FAULTS OR ACCIDENTS DUE TO NEGLIGENCE, INCAPACITY, INSTALLATION BY UNQUALIFIED TECHNICIANS AND IMPROPER USE OF THE MACHINE

DO NOT OPERATE THIS MACHINE UNTIL YOU READ AND UNDERSTAND ALL THE DANGERS, WARNINGS AND CAUTIONS IN THIS MANUAL

Part Number: SM0509211

Version of the Record

Version Number	Create Date
SM0509211_Rev1.0	2011-04
SM0509211_Rev2.0	2013-09
SM0509211_Rev3.0	2015-06

Table of Contents

Section1 Chassis

Figure 1-1	Cover Installation	1-1
Figure 1-2	Chassis Assembly	1-3
Figure 1-3	Ground Control Panel Assembly	1-7
Figure 1-4	Hydraulic Tank	1-8
Figure 1-5	Steer Linkage.....	1-10
Figure 1-6	Pot Hole Protection Assembly	1-13
Figure 1-7	Rear Wheel.....	1-15
Figure 1-8	Function Manifold Installation Assembly	1-17
Figure 1-9	Electrical Module Assembly	1-18

Section2 Mast

Figure 2-1	Mast and Chassis Installation	2-1
Figure 2-2	Mast Assembly (AMWP8-1100)	2-3
Figure 2-3	Mast Assembly (AMWP9.5-1100)	2-6
Figure 2-4	Trolley Seat Assembly	2-9
Figure 2-5	Lifting Chain Assembly (AMWP8-1100)	2-10
Figure 2-6	Lifting Chain Assembly (AMWP9.5-1100)	2-12
Figure 2-7	2-2 Mast Chain Wheel Assembly	2-14
Figure 2-8	3-3 Mast Chain Wheel Assembly	2-15
Figure 2-9	4-4 Mast Chain Wheel Assembly	2-16

Section3 Platform

Figure 3-1	Platform and Mast Installtion (Standard Platform).....	3-1
Figure 3-2	Platform and Mast Installtion (Extended Platform).....	3-3
Figure 3-3	Platform Assembly (Standard Platform)	3-4
Figure 3-4	Platform Assembly (Extended Platform)	3-6
Figure 3-5	Platform Control Box.....	3-9

Section4 Hydraulic System

Figure 4-1	Lift Cylinder Assembly	4-1
Figure 4-2	Steering Cylinder Assembly	4-3
Figure 4-3	Hydraulic Hoses and Fittings	4-5
Figure 4-4	Function Manifold	4-7

Chassis

Section 1

Figure 1-1 Cover Installation

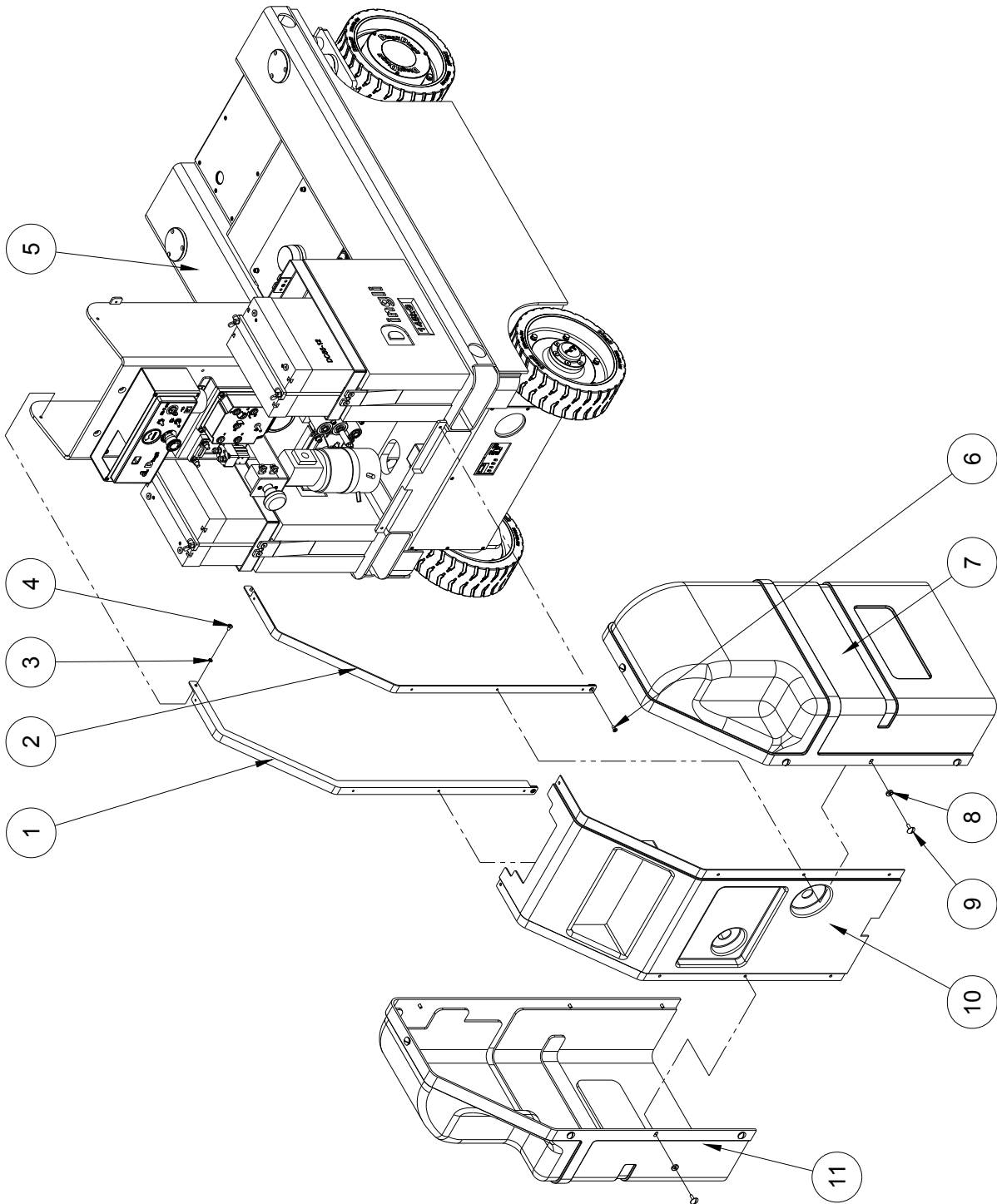


Figure 1-1 Cover Installation

Item	Part Number	Description	Qty.	Remark
1	AMWP8-1000-100105	Cover bracket	1	
2	AMWP8-1000-100105a	Cover bracket	1	
3	GB/T 93-1987	Spring washer 6	2	
4	GB/T 818-2000	Screw M6×10-H	2	
5	AMWP8-1100-102000	Chassis assembly	1	
6	GB/T 819.1-2000	Screw M6×14-H	2	
7	AMWP8-1000-100102a	Right cover	1	
8	AMWP8-1000-100103	Washer	14	
9	AMWP8-1000-100104	Screw	14	
10	AMWP8-1100-100201	Middle cover	1	
11	AMWP8-1000-100102	Left cover	1	

Figure 1-2 Chassis Assembly

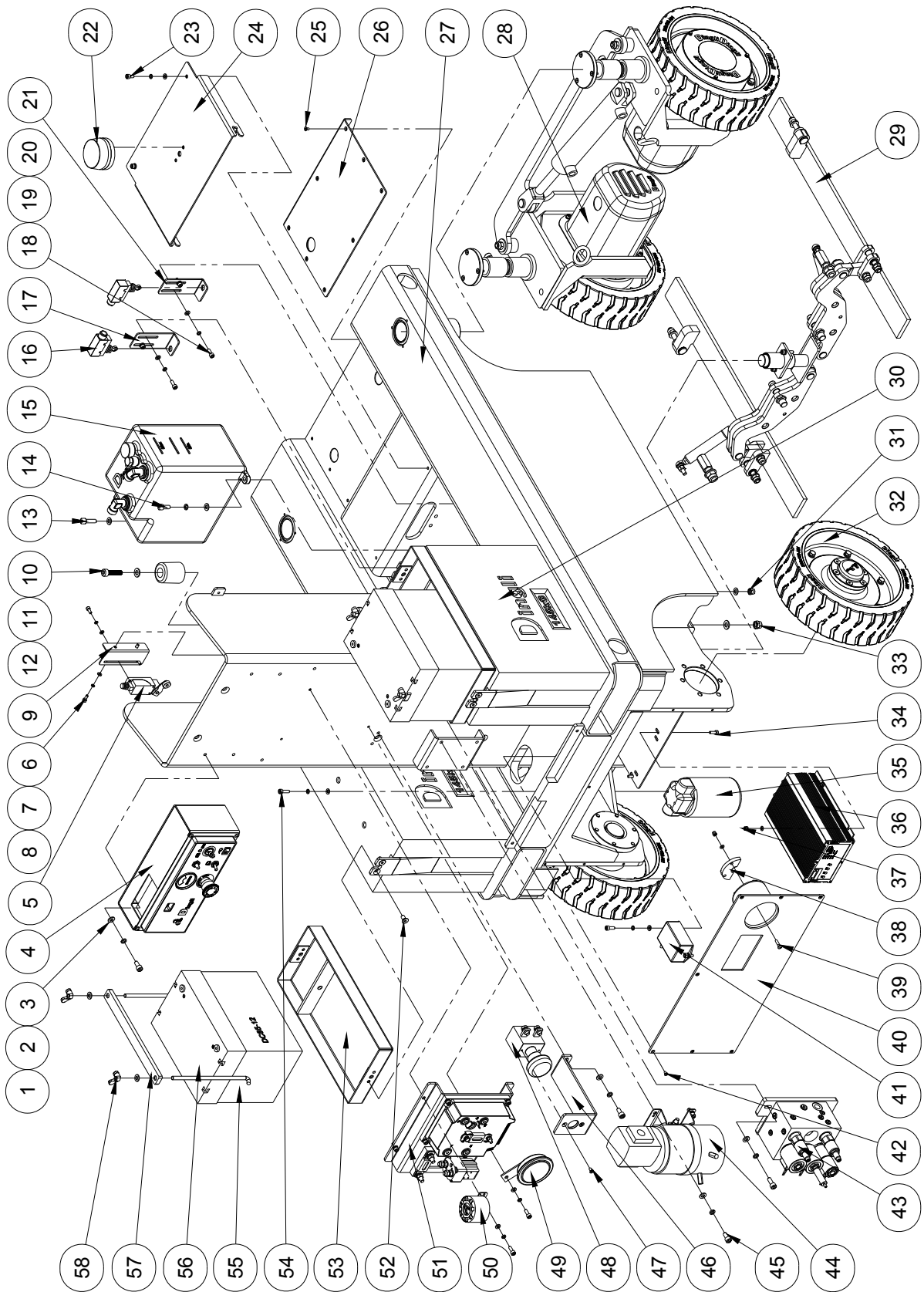


Figure 1-2 Chassis Assembly

Item	Part Number	Description	Qty.	Remark
1	GB/T 70.1-2000	Screw M8×16	4	
2	GB/T 93-1987	Spring washer 8	13	
3	GB/T 97.1-2002	Washer 8	16	
4	AMWP8-1100-100100	Ground control panel assembly	1	
5	6909-0701200-01	Limit switch	1	
6	GB/T 70.1-2000	Screw M5×12	4	
7	GB/T 93-1987	Spring washer 5	4	
8	GB/T 97.1-2002	Washer 5	12	
9	AMWP8-1000-100003	Switch seat	1	
10	GB/T 70.1-2000	Screw M10×40	2	
11	GB/T 97.1-2002	Washer 10	4	
12	JCPT1212HD-10013A	Rubber pad	2	
13	GB/T 70.1-2000	Screw M8×30	1	
14	GB/T 70.1-2000	Screw M8×20	3	
15	JCPT0807HD-551100	Hydraulic tank	1	
16	6909-0757004-01	Limit switch	2	
17	AMWP8-1000-140011a	Switch seat	1	
18	GB/T 70.1-2000	Screw M6×16	9	
19	GB/T 93-1987	Spring washer 6	15	
20	GB/T 97.1-2002	Washer 6	15	
21	AMWP8-1000-140011	Switch seat	1	
22	6914-0200031-01	Beacon	1	
23	GB/T 70.1-2000	Screw M6×12	4	
24	AMWP8-1100-100005	Cover board	1	
25	GB/T 819.1-2000	Screw M5×8-H	8	
26	AMWP8-1100-100006	Board	1	
27	AMWP8-1100-112000	Chassis weldment	1	
28	AMWP8-1100-150000	Steer linkage	1	
29	AMWP8-1100-140000	Pot hole protenton assembly	1	

Figure 1-2 Chassis Assembly

Item	Part Number	Description	Qty.	Remark
30	AMWP8-1000-100010	Counterweight	2	
31	GB/T 6182-2000	Nut M8	1	
32	JCPT0807DC-181100	Rear wheel	2	
33	GB/T 6182-2000	Nut M10	2	
34	GB/T 70.1-2000	Screw M5×16	4	
35	5899-0412	Oil filter SP-06×10	1	
36	6901-0142411-01	Charger	1	
37	GB/T 6182-2000	Nut M5	8	
38	JCPT1212HD-121003	Half-round batten	2	
39	GB/T 818-2000	Screw M5×20-H	4	
40	AMWP8-1100-102100	Board	1	
41	6905-0200021-01	Tilt sensor	1	
42	GB/T 819.1-2000	Screw M4×8-H	7	
43	AMWP8-1100-100400	Function manifold installation assembly	1	
44	JCT0807DC-221100	Pump motor assembly	1	
--	JCT0807DC-221110	Motor	1	
--	5802-032-02	Pump	1	
45	GB/T 70.1-2000	Screw M8×16	6	
46	AMWP8-1100-100004	Switch bracket	1	
47	GB/T 819.1-2000	Screw M4×10-H	2	
48	6909-0500260-01	Power switch	1	
49	6915-0203105-01	Horn	1	
50	6915-0103000-01	Alarm	1	
51	AMWP8-1100-100300	Electrical module assembly	1	
52	GB/T 70.3-2000	Screw M8×16	8	
53	AMWP8-1100-120100	Battery box weldment	2	
54	GB/T 70.1-2000	Screw M6×20	2	
55	6901-0312085-01	Battery	2	

Figure 1-2 Chassis Assembly

Item	Part Number	Description	Qty.	Remark
56	AMWP8-1000-100009	Hook	4	
57	AMWP8-1100-100008	Bar	2	
58	GB/T 62.1-2004	Nut M8	4	

Figure 1-3 Ground Control Panel Assembly

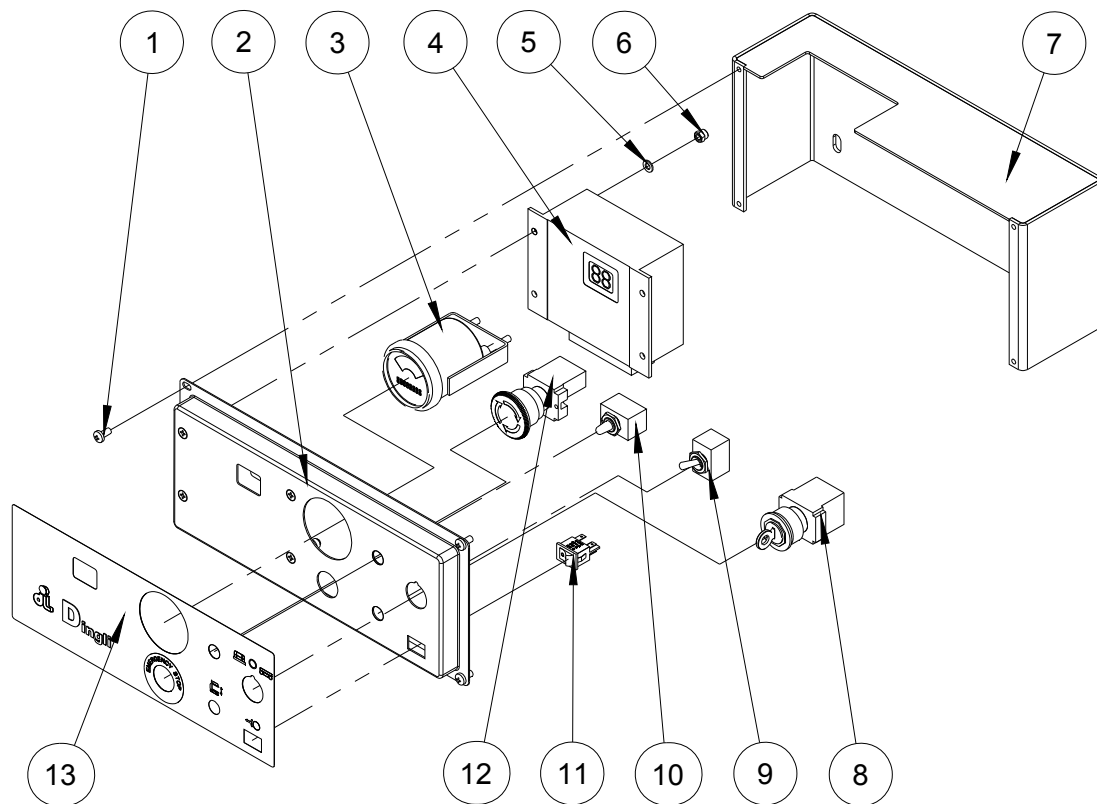


Figure 1-3 Ground Control Panel Assembly

Item	Part Number	Description	Qty.	Remark
1	GB/T 818-2000	Screw M5×10-H	4	
2	AMWP8-1100-100110	Control Panel weldment	1	
3	6908-0100103-01	HourMeter	1	
4	6904-0102002-02	ECU	1	
5	GB/T 97.1-2002	Washer 5	4	
6	GB/T 6182-2000	Nut M5	4	
7	AMWP8-1100-100120	Ground control box	1	
8	6909-0400032-01	Key Switch	1	
9	6909-0100322-02	Select Switch	1	
10	6906-5103007-01	Fuse	1	
11	6909-0920400-01	Brake reset switch	1	
12	6909-0501140-01	Emergency stop switch	1	
13	9121019	Decal	1	

Figure 1-4 Hydraulic Tank

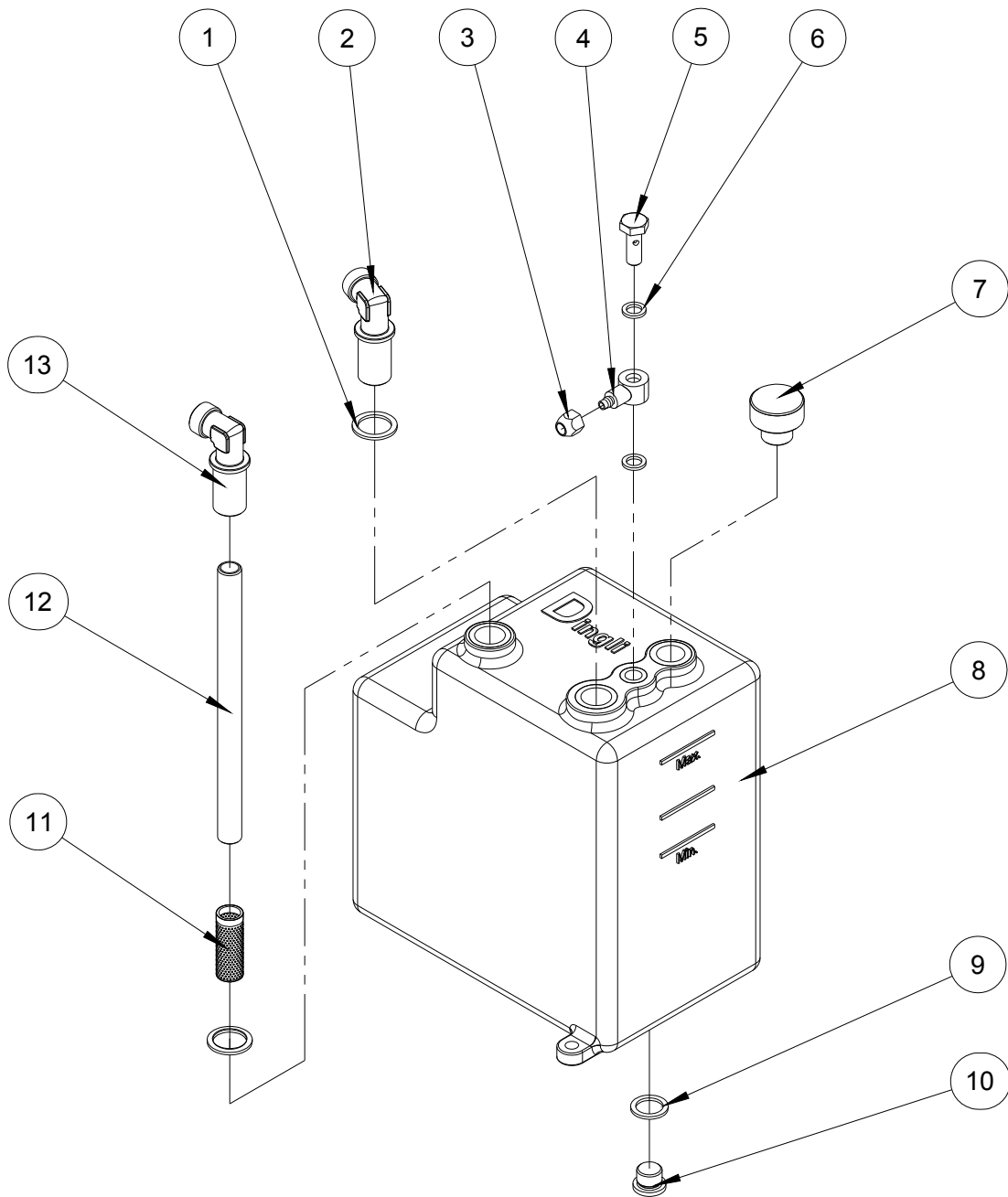


Figure 1-4 Hydraulic Tank

Item	Part Number	Description	Qty.	Remark
1	JB/T982-1977	Washer 22	2	
2	WSV15LA3C	Fitting M22×1.5	1	
3	TYGJT-302	Nut	1	
4	TYGJT-402	Seat	1	
5	TYGJT-401	Bolt	1	
6	JB/T982-1977	Washer 14	2	
7	7JAA002	Breath nut	1	
8	JCPT0807HD-551110	Tank	1	
9	JB/T982-1977	Washer 18	1	
10	JB/ZQ4444-1986	Plug screw	1	
11	JCPT0807HD-551123	Filter	1	
12	JCPT0807HD-551121	Suction pipe	1	
13	JCPT0807HD-551122	Fitting	1	

Figure 1-5 Steer Linkage

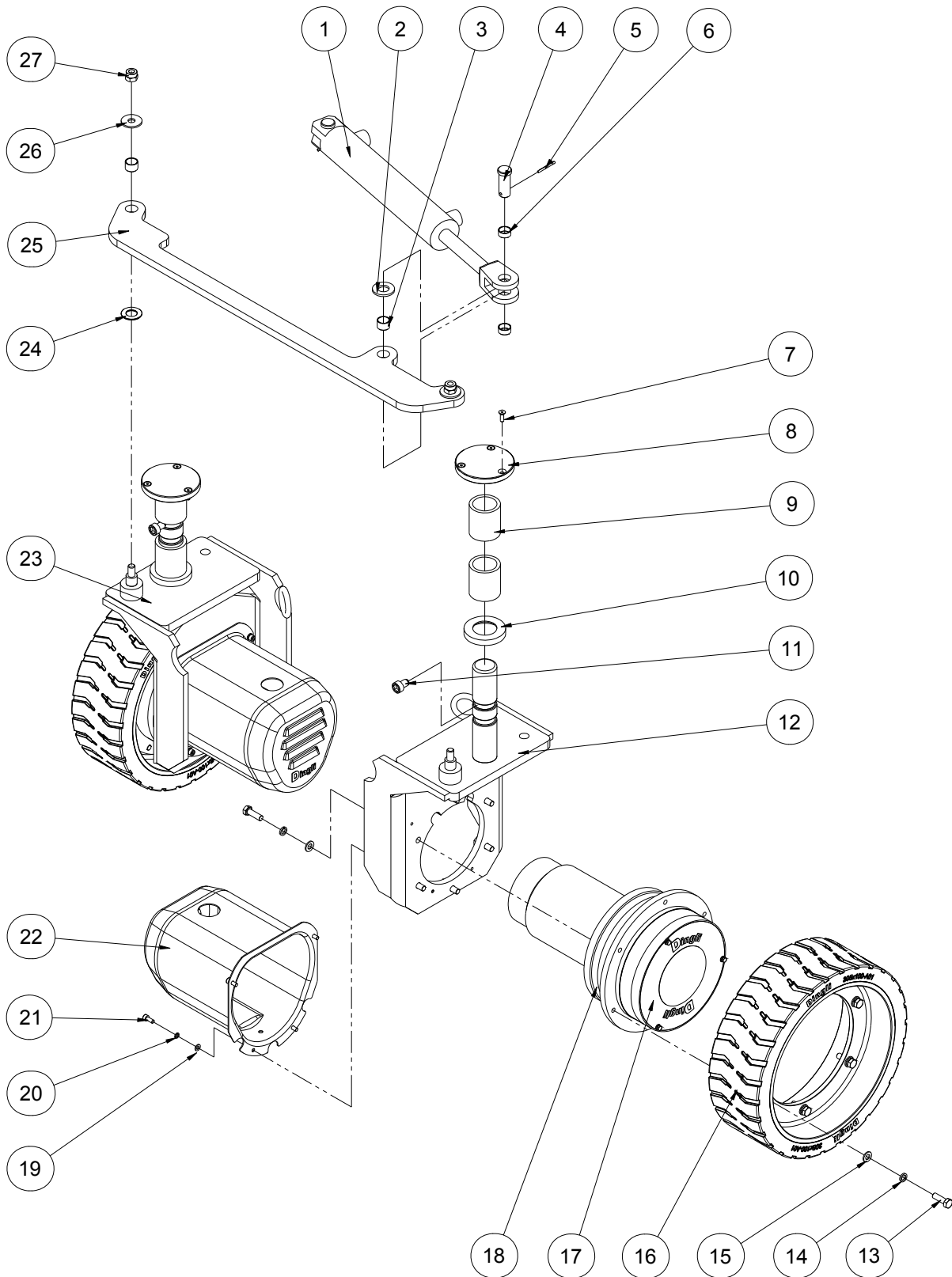


Figure 1-5 Steer Linkage

Item	Part Number	Description	Qty.	Remark
1	JCPT0807HD-151100	Steering cylinder	1	
2	JCPT0807HD-151005	Cuprum cushion	2	
3	8812-161812	Bearing	4	
4	JCPT0807HD-151002	Pin	2	
5	GB/T 91-2000	Pin 3.2×25	2	
6	8812-161808	Bearing	4	
7	GB/T 70.3-2000	Screw M5×16	6	
8	AMWP8-1100-150001	Cover	2	
9	GM354550	Bearing 354550	4	
10	JCPT0807HD-151003	Washer	2	
11	JCPT0807HD-151004	Screw	2	
12	JCPT0807DC-151100	Left yoke	1	
13	GB/T 5783-2000	Bolt M8×25	24	
14	GB/T 93-1987	Spring washer 8	24	
15	GB/T 97.1-2002	Washer 8	24	
16	JCPT0807DC-151010	Wheel	2	
17	JCPT0807DC-151008	Out cover	2	
18	JCPT0807DC-151400	Drive motor	2	
--	JCPT0807DC-151410	Reducer	2	
--	JCPT0807DC-151420	Motor	2	
--	JCPT0807DC-151430	Brake	2	
19	GB/T 97.1-2002	Washer 5	8	
20	GB/T 93-1987	Spring washer 5	8	
21	GB/T 70.1-2000	Screw M5×12	8	
22	JCPT0807DC-151007	Cover	2	
23	JCPT0807DC-151200	Right yoke	1	
24	Φ30XΦ16X1.5	Washer	2	
25	JCPT0807HD-151001	Tie rod	1	
26	GB/T 96.1-2002	Washer 10	2	

Figure 1-5 Steer Linkage

Item	Part Number	Description	Qty.	Remark
27	GB/T 6182-2000	Nut M10	2	

Figure 1-6 Pot Hole Protection Assembly

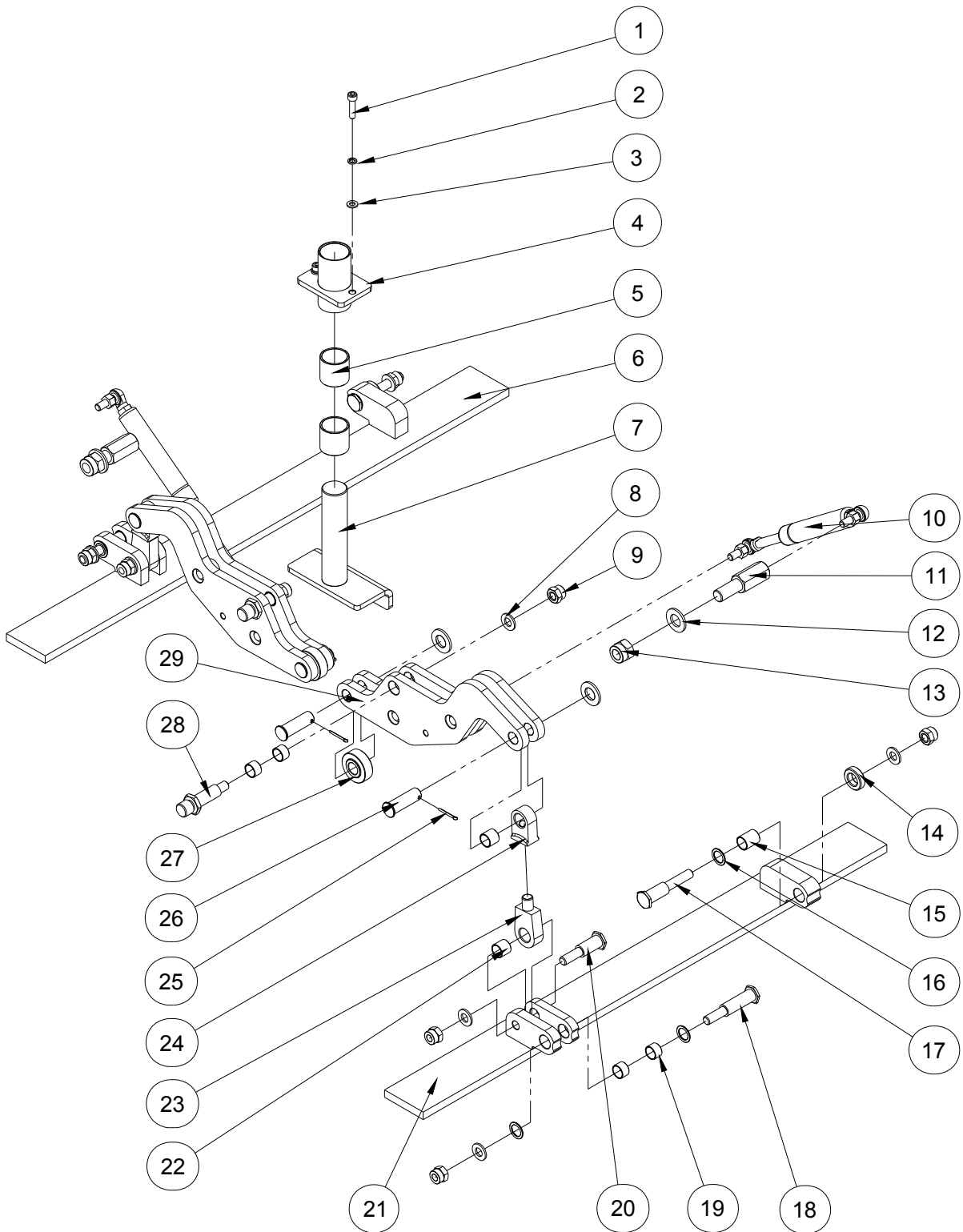


Figure 1-6 Pot Hole Protection Assembly

Item	Part Number	Description	Qty.	Remark
1	GB/T 70.1-2000	Screw M6×25	2	
2	GB/T 93-1987	Spring washer 6	2	
3	GB/T 97.1-2002	Washer 6	2	
4	AMWP8-1100-140200	Seat	1	
5	32×28×30	Bearing	2	
6	AMWP8-1100-140100a	Pot hole board weldment	1	
7	AMWP8-1100-140300	Pole	1	
8	GB/T 97.1-2002	Washer 610	8	
9	GB/T 6182-2000	Nut M10	8	
10	YQ10/22-239-595(O-O)400	Spring	2	
11	AMWP8-1100-140008	Spring seat	2	
12	GB/T 97.1-2002	Washer 14	6	
13	GB/T 889.2-2000	Nut M14×1.5	2	
14	AMWP8-1100-140009	Washer	2	
15	16×14×20	Bearing	2	
16	WC14	Gasket	6	
17	AMWP8-1100-140007	Short pin	2	
18	AMWP8-1100-140003	Pin	2	
19	16×14×10	Bearing	8	
20	AMWP8-1100-140005	Pin	2	
21	AMWP8-1100-140100	Pot hole board weldment	1	
22	16×14×14	Bearing	4	
23	AMWP8-1100-140001	Pole	2	
24	AMWP8-1100-140006	Nut	2	
25	GB/T 91-2000	Pin 2.5×20	4	
26	AMWP8-1100-140004	Pin	4	
27	AMWP8-1100-140002	Roller	2	
28	AMWP8-1100-140010	Axis	2	
29	AMWP8-1100-140400	Board	2	

Figure 1-7 Rear Wheel

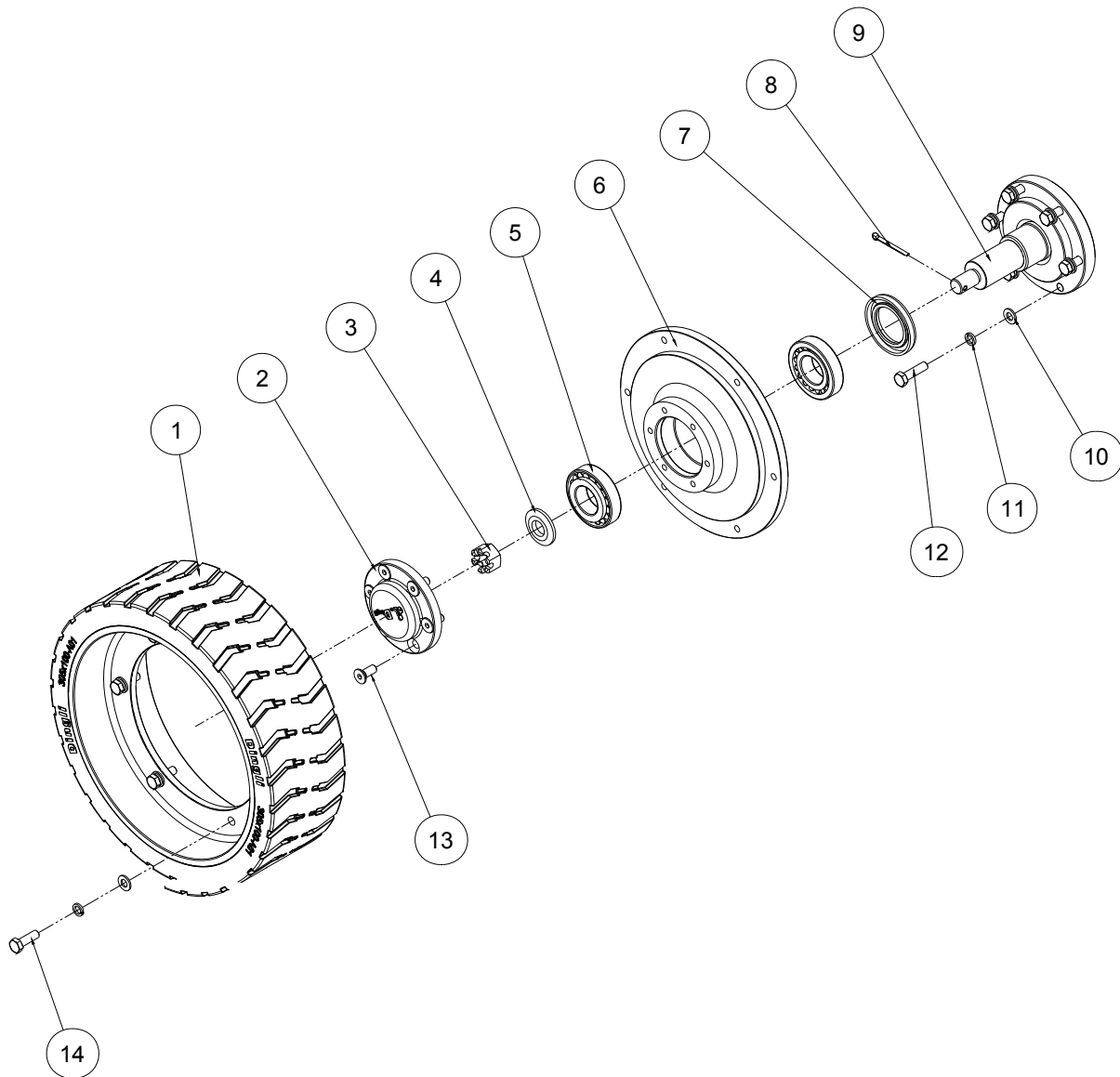


Figure 1-7 Rear Wheel

Item	Part Number	Description	Qty.	Remark
1	JCPT0807DC-151010	Wheel	1	
2	JCPT1212DC-101103	Cap	1	
3	GB/T 9459-1988	Nut M16×1.5	1	
4	JCPT0807DC-181102	Washer	1	
5	GB/T 297-1994	Bearing 30206	2	
6	JCPT0807DC-181101	Linked tray	1	
7	GB/T 1387.1-2007	Seal FB38 62 8	1	
8	GB/T 91-2000	Pin 4×36	1	
9	JCPT0807DC-181110	Wheel axle seat	1	
10	GB/T 97.1-2002	Washer 8	12	
11	GB/T 93-1987	Spring washer 8	12	
12	GB/T 5783-2000	Bolt M8×30	6	
13	GB/T 70.3-2000	Screw M8×20	6	
14	GB/T 5783-2000	Bolt M8×25	6	

Figure 1-8 Function Manifold Installation Assembly

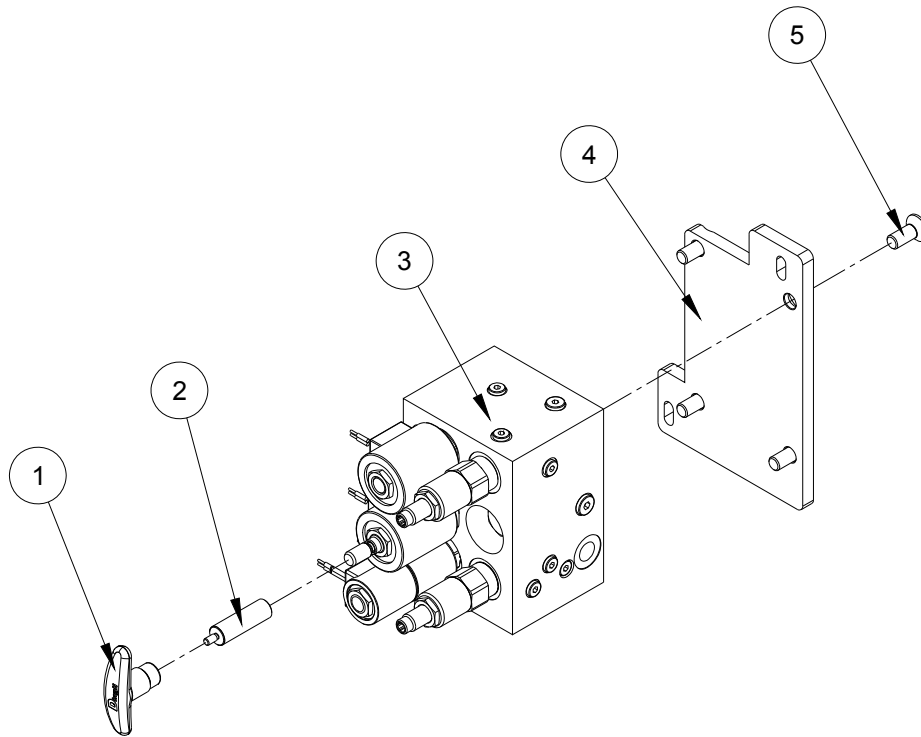


Figure 1-8 Function Manifold Installation Assembly

Item	Part Number	Description	Qty.	Remark
1	JB/T7274.6	Handle BM5×34	1	
2	AMWP8-1100-100002	Handle	1	
3	DPH-112D-09	Function manifold	1	
4	AMWP8-1100-100003	Valve Seat	1	
5	GB/T 70.3-2000	Screw M10×25	4	

Figure 1-9 Electrical Module Assembly

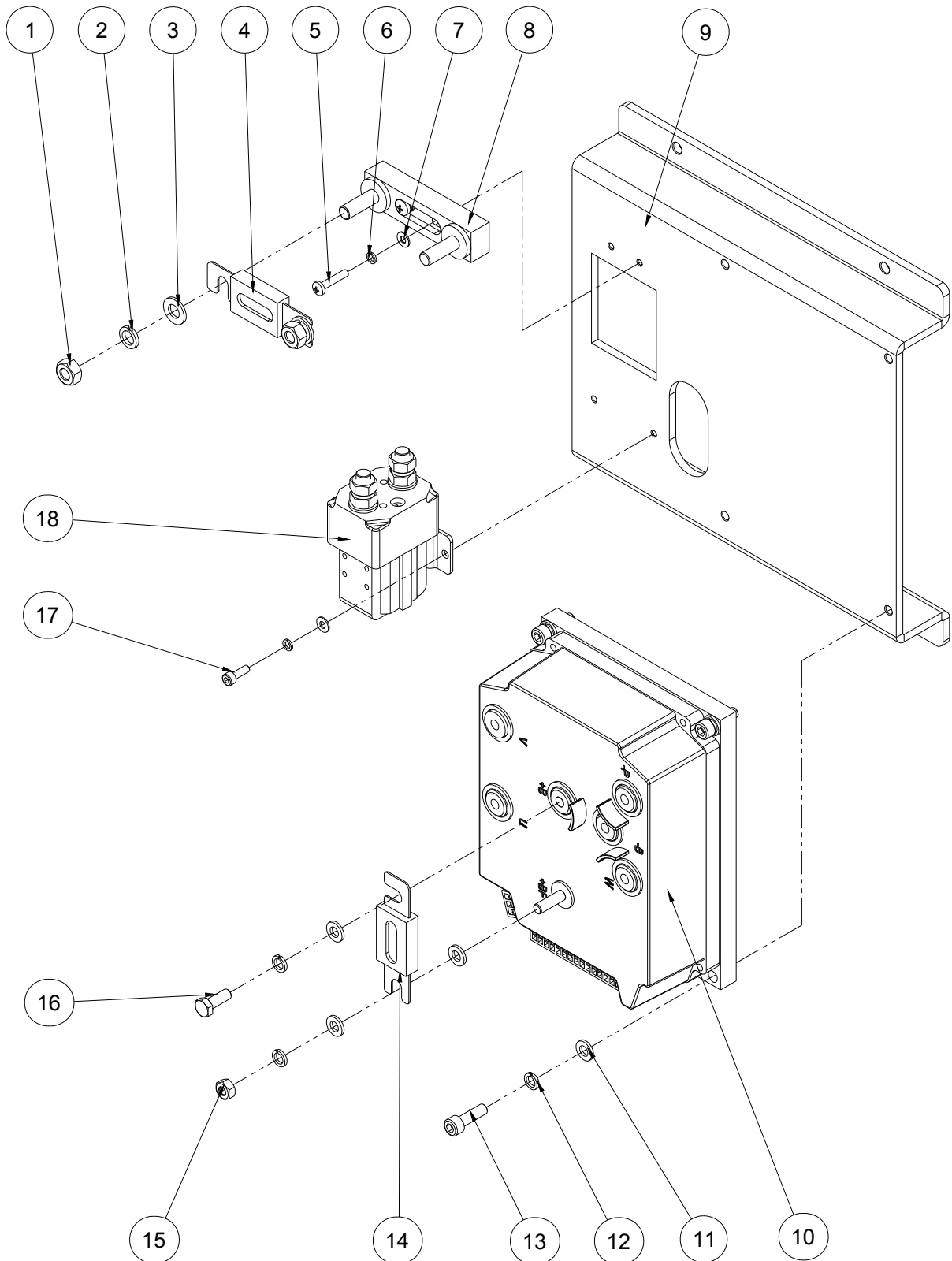


Figure 1-9 Electrical Module Assembly

Item	Part Number	Description	Qty.	Remark
1	GB/T 6170-2000	Nut M8	2	
2	GB/T 93-1987	Spring washer 8	2	
3	GB/T 97.1-2002	Washer 8	2	
4	6906-5102150-01	Fuse	1	
5	GB/T 818-2000	Screw M4×20-H	2	
6	GB/T 93-1987	Spring washer 4	4	
7	GB/T 97.1-2002	Washer 4	4	
8	6906-9100002-01	Fuse seat	1	
9	AMWP8-1100-100007	Fixed Board	1	
10	6904-0204280-01	Controller	1	
11	GB/T 97.1-2002	Washer 6	7	
12	GB/T 93-1987	Spring washer 6	6	
13	GB/T 70.1-2000	Screw M6×20	4	
14	6906-5102350-01	Fuse	1	
15	GB/T 6170-2000	Nut M6	1	
16	GB/T 5783-2000	Bolt M6×16	1	
17	GB/T 70.1-2000	Screw M4×12	2	
18	6906-0303100-01	DC Contactor	1	

Section
2

Mast

Figure 2-1 Mast and Chassis Installation

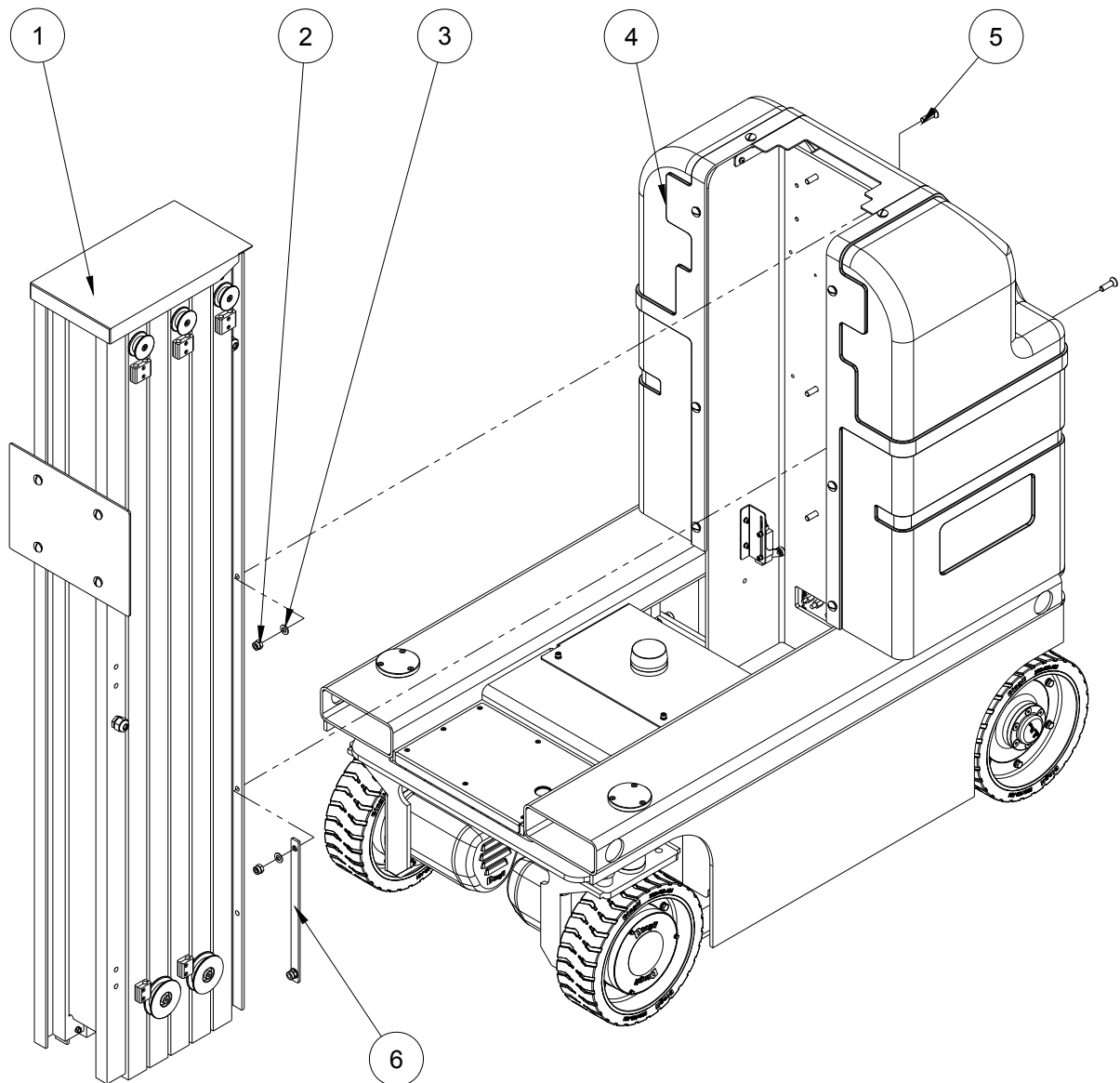


Figure 2-1 Mast and Chassis Installation

Item	Part Number	Description	Qty.	Remark
1	AMWP8-1100-320000	Mast assembly	1	AMWP8-1100 (Standard Platform)
	AMWP8-1100-321000	Mast assembly	1	AMWP8-1100 (Extended Platform)
	AMWP9.5-1100-320000	Mast assembly	1	AMWP9.5-1100 (Standard Platform)
	AMWP9.5-1100-321000	Mast assembly	1	AMWP9.5-1100 (Extended Platform)
2	GB/T 6182-2000	Nut M10	6	
3	GB/T 97.1-2002	Washer 10	6	
4	AMWP8-1100-102000	Chassis assembly	1	
5	GB/T 70.3-2000	Screw M10×35	6	
6	AMWP8-1100-320001	Splint	2	

Figure 2-2 Mast Assembly (AMWP8-1100)

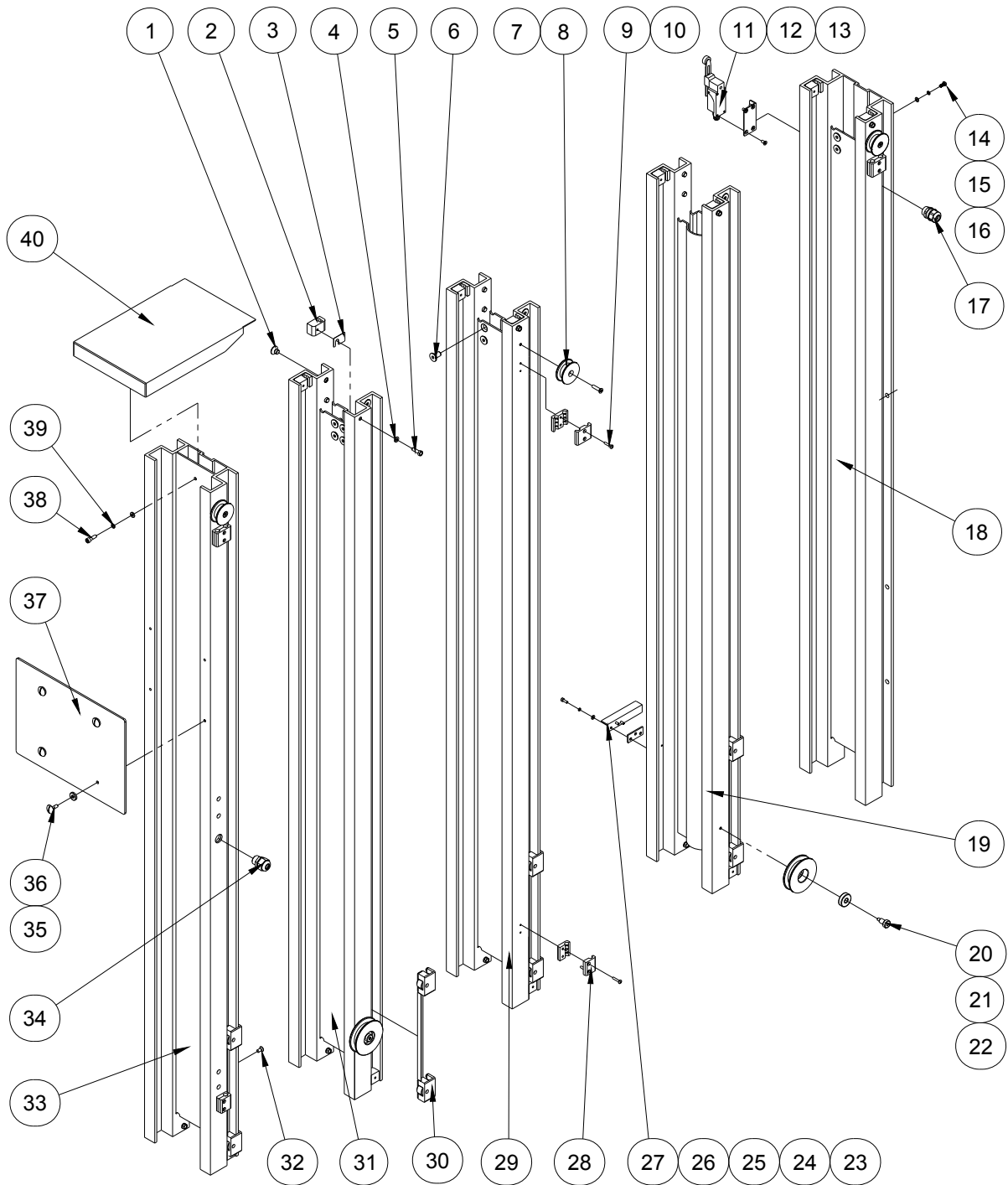


Figure 2-2 Mast Assembly (AMWP8-1100)

Item	Part Number	Description	Qty.	Remark
1	GB/T 70.3-2000	Screw M10×12	12	
2	GTWY8-320018	Block	16	
3	GTWY8-320020	Piece	16	
4	GB/T 97.1-2002	Washer 6	17	
5	GB/T 5285-1985	Screw ST6.3×25 C	16	
6	GB/T 70.3-2000	Screw M10×20	12	
7	GTWY8-320013	Little control cable sheave	3	
8	GB/T 819.1-2000	Screw M6×25-H	3	
9	GTWY8-320009	Wire fixation	6	
10	GB/T 818-2000	Screw M4×20-H	10	
11	6909-0701200-01	Limit switch	1	
12	GTWY8-320012	Limit switch seat	1	
13	GB/T 819.1-2000	Screw M5×10-H	4	
14	GB/T 818-2000	Screw M5×12-H	2	
15	GB/T 93-1987	Spring washer 5	2	
16	GB/T 97.1-2002	Washer 5	2	
17	6912-0200020-01	Water-proof joint M20×1.5	2	
18	AMWP8-1100-320101	Mast 1	1	
19	AMWP8-1000-320201	Mast 2	1	
20	GTWY8-320008	Big control cable sheave	2	
21	GB/T 276-1994	Bearing 6200	2	
22	GTWY8-320007	Bolt	2	
23	GTWY8-320011	Limit plate mat	1	
24	GTWY8-320010	Limit plate	1	
25	GB/T 97.1-2002	Washer 4	3	
26	GB/T 93-1987	Spring washer 4	3	
27	GB/T 70.1-2000	Screw M4×12	3	
28	GTWY8-320019	Single wire fixation	4	
29	AMWP8-1000-320301	Mast 3	1	

Figure 2-2 Mast Assembly (AMWP8-1100)

Item	Part Number	Description	Qty.	Remark
30	GTWY8-320100	Trolley seat assembly	8	
31	AMWP8-1000-320401	Mast 4	1	
32	GB/T 819.2-1997	Screw M6×12-H1	6	
33	AMWP8-1100-320501	Mast 5	1	Standard Platform
	AMWP8-1100-321501	Mast 5	1	Extended Platform
34	6912-0200022-01	Water-proof joint M22×1.5	1	
35	AMWP8-1000-100104	Screw	4	
36	AMWP8-1000-100103	Cushion	4	
37	AMWP8-1000-320002	Board	1	
38	GB/T 70.1-2000	Screw M6×20	1	
39	GB/T 93-1987	Spring washer 6	1	
40	GTWY6-320100	Mast cap	1	

Figure 2-3 Mast Assembly (AMWP9.5-1100)

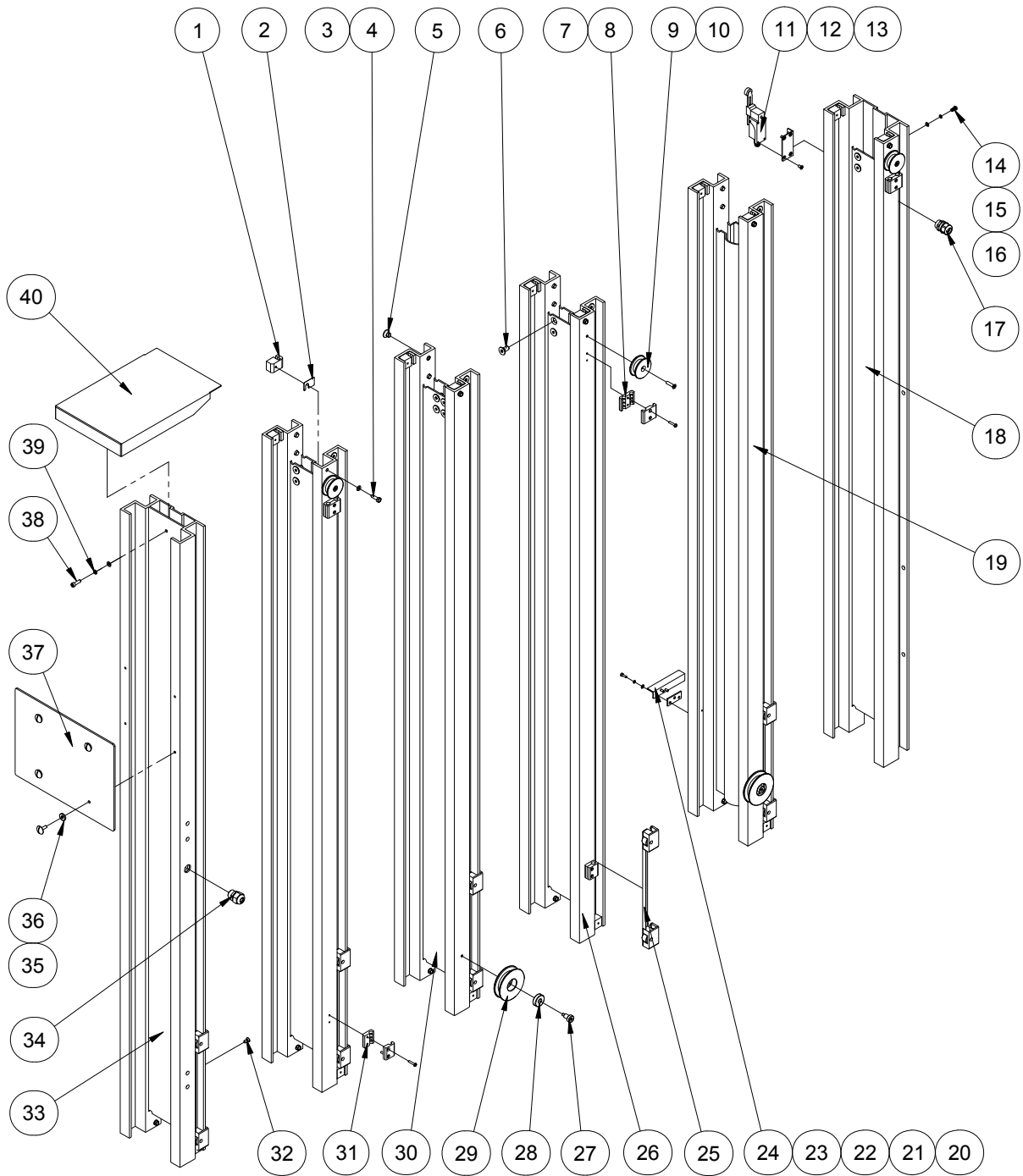


Figure 2-3 Mast Assembly (AMWP9.5-1100)

Item	Part Number	Description	Qty.	Remark
1	GTWY8-320018	Block	20	
2	GTWY8-320020	Piece	20	
3	GB/T 97.1-2002	Washer 6	21	
4	GB/T 5285-1985	Screw ST6.3×25 C	20	
5	GB/T 70.3-2000	Screw M10×12	16	
6	GB/T 70.3-2000	Screw M10×20	16	
7	GTWY8-320009	Wire fixation	6	
8	GB/T 818-2000	Screw M4×20-H	10	
9	GTWY8-320013	Little control cable sheave	3	
10	GB/T 819.1-2000	Screw M6×25-H	3	
11	6909-0701200-01	Limit switch	1	
12	GTWY8-320012	Limit switch seat	1	
13	GB/T 819.1-2000	Screw M5×10-H	4	
14	GB/T 818-2000	Screw M5×12-H	2	
15	GB/T 93-1987	Spring washer 5	2	
16	GB/T 97.1-2002	Washer 5	2	
17	6912-0200020-01	Water-proof joint M20×1.5	2	
18	AMWP8-1100-320101	Mast 1	1	
19	AMWP8-1000-320201	Mast 2	1	
20	GTWY8-320011	Limit plate mat	1	
21	GTWY8-320010	Limit plate	1	
22	GB/T 97.1-2002	Washer 4	3	
23	GB/T 93-1987	Spring washer 4	3	
24	GB/T 70.1-2000	Screw M4×12	3	
25	GTWY8-320100	Trolley seat assembly	10	
26	AMWP8-1000-320301	Mast 3	2	
27	GTWY8-320008	Big control cable sheave	2	
28	GB/T 276-1994	Bearing 6200	2	
29	GTWY8-320007	Bolt	2	

Figure 2-3 Mast Assembly (AMWP9.5-1100)

Item	Part Number	Description	Qty.	Remark
30	AMWP8-1000-320401	Mast 4	1	
31	GTWY8-320019	Single wire fixation	4	
32	GB/T 819.2-1997	Screw M6×12-H1	8	
33	AMWP9.5-1100-320601	Mast 6	1	Standard Platform
	AMWP9.5-1100-321601	Mast 6	1	Extended Platform
34	6912-0200022-01	Water-proof joint M22×1.5	1	
35	AMWP8-1000-100104	Screw	4	
36	AMWP8-1000-100103	Cushion	4	
37	AMWP8-1000-320002	Board	1	
38	GB/T 70.1-2000	Screw M6×20	1	
39	GB/T 93-1987	Spring washer 6	1	
40	GTWY8-320900	Mast cap	1	

Figure 2-4 Trolley Seat Assembly

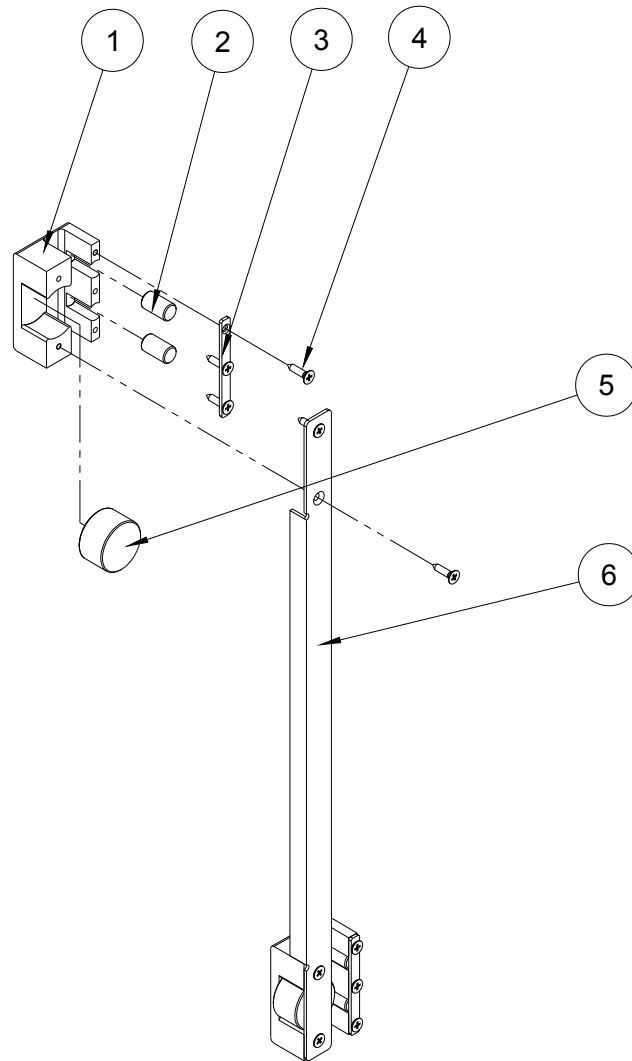


Figure 2-4 Trolley Seat Assembly

Item	Part Number	Description	Qty.	Remark
1	GTWY8-320101	Trolley seat	2	
2	GTWY8-320103	Subsidiary trolley	4	
3	GTWY8-320105	Plate	2	
4	GB/T 846-1985	Screw ST2.9×13 H C	10	
5	GTWY8-320102	Main trolley	2	
6	GTWY8-320104	Bar	1	

Figure 2-5 Lifting Chain Assembly (AMWP8-1100)

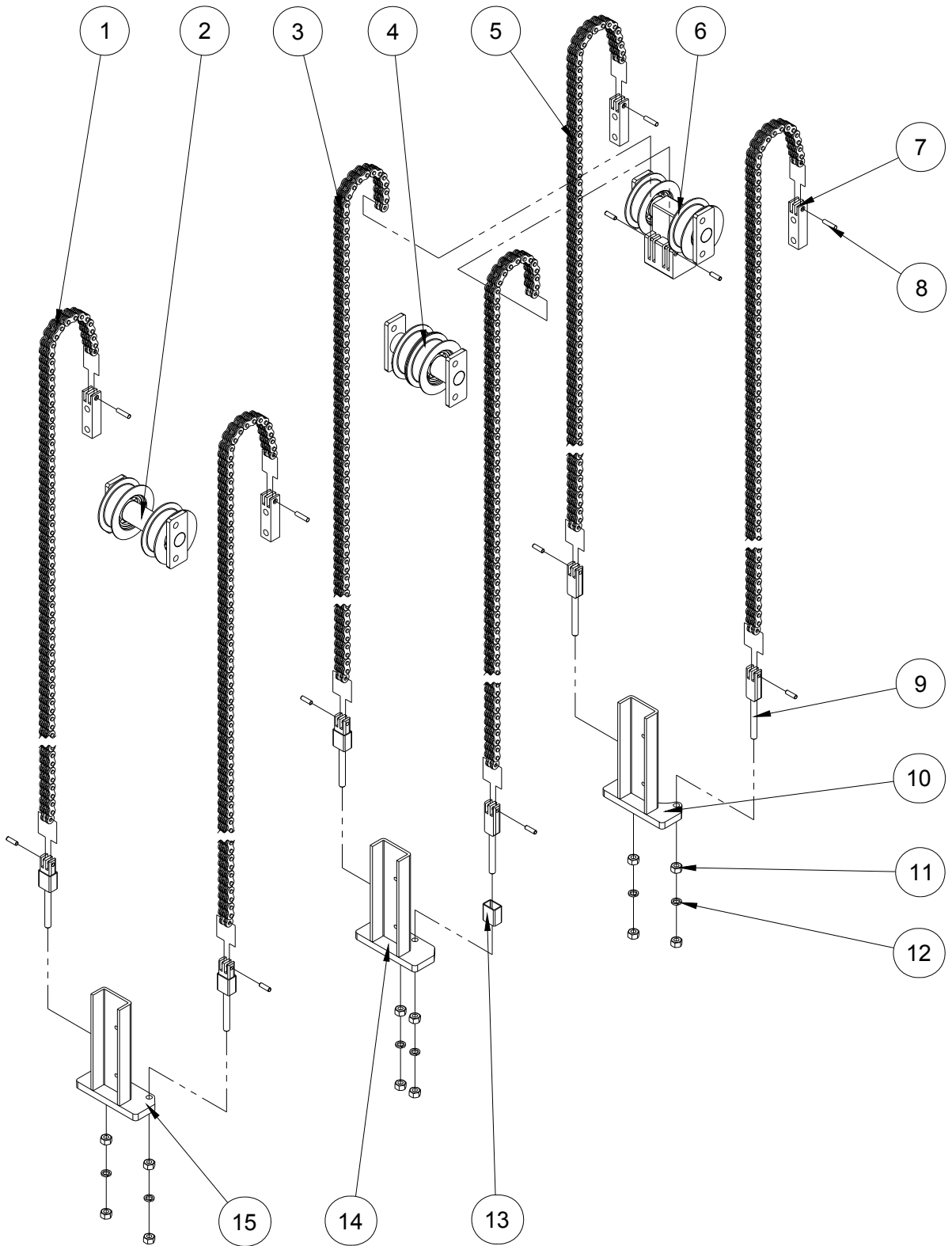


Figure 2-5 Lifting Chain Assembly (AMWP8-1100)

Item	Part Number	Description	Qty.	Remark
1	AMWP8-1000-200300	(3-5) Mast LH0844-141	2	
2	GTWY10-320100	4-4 Mast chain wheel assembly	1	
3	AMWP8-1000-200200	(2-4) Mast LH0844-141	2	
4	GTWY8-320200	3-3 Mast chain wheel assembly	1	
5	AMWP8-1000-200100	(1-3) Mast LH0844-143	2	
6	GTWY8-320400	2-2 Mast chain wheel assembly	1	
7	GTWY8-320014	Upper chain terminal	4	
8	GTWY8-110311	Chain pin	12	
9	GTWY8-320015	Lower chain terminal	6	
10	GTWY8-320600	Dragger	1	
11	GB/T 41-2000	Nut M8	12	
12	GB/T 93-1987	Spring washer 8	6	
13	GTWY8-320030	Nylon sheath	4	
14	GTWY8-320700	Dragger 2	1	
15	GTWY8-320800	Dragger 3	1	

Figure 2-6 Lifting Chain Assembly (AMWP9.5-1100)

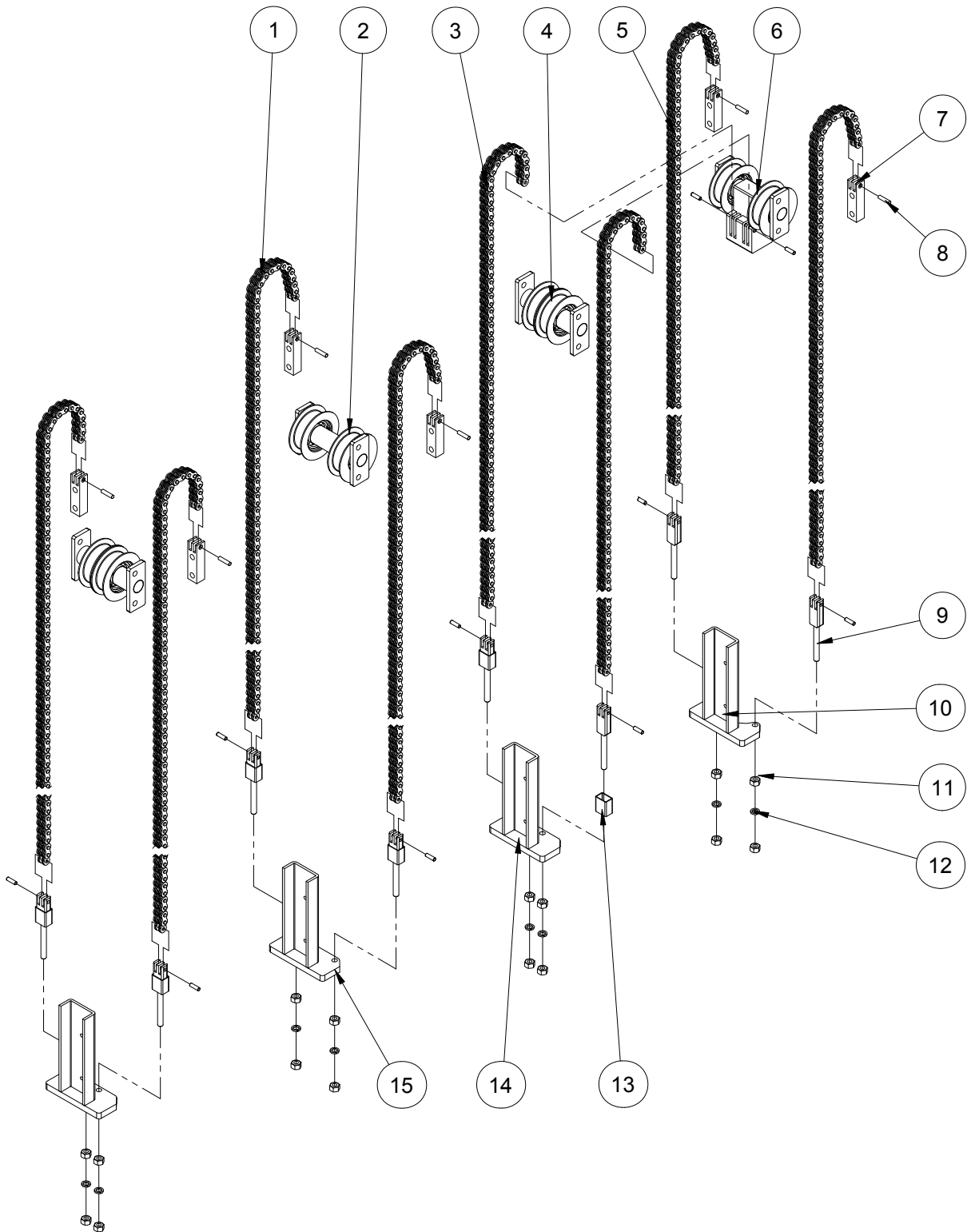


Figure 2-6 Lifting Chain Assembly (AMWP9.5-1100)

Item	Part Number	Description	Qty.	Remark
1	AMWP8-1000-200300	(3-5) Mast LH0844-141	2	
2	GTWY10-320100	4-4 Mast chain wheel assembly	1	
3	AMWP8-1000-200200	(2-4) Mast LH0844-141	4	
4	GTWY8-320200	3-3 Mast chain wheel assembly	2	
5	AMWP8-1000-200100	(1-3) Mast LH0844-143	2	
6	GTWY8-320400	2-2 Mast chain wheel assembly	1	
7	GTWY8-320014	Upper chain terminal	6	
8	GTWY8-110311	Chain pin	16	
9	GTWY8-320015	Lower chain terminal	8	
10	GTWY8-320600	Dragger	1	
11	GB/T 41-2000	Nut M8	16	
12	GB/T 93-1987	Spring washer 8	8	
13	GTWY8-320030	Nylon sheath	6	
14	GTWY8-320700	Dragger 2	2	
15	GTWY8-320800	Dragger 3	1	

Figure 2-7 2-2 Mast Chain Wheel Assembly

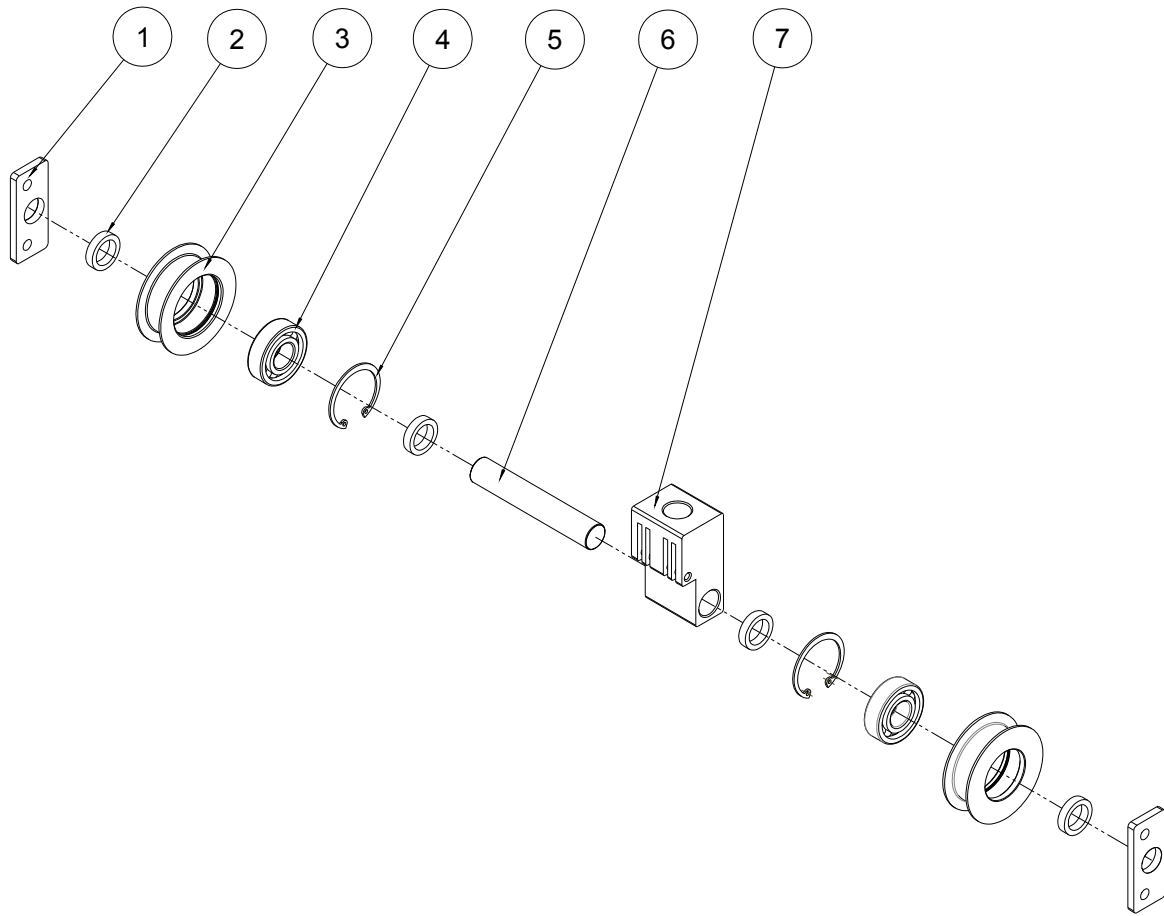


Figure 2-7 2-2 Mast Chain Wheel Assembly

Item	Part Number	Description	Qty.	Remark
1	GTWY8-320201	Chain wheel supporting plate	2	
2	GTWY8-320302	Bushing (4)	4	
3	GTWY8-320203	Chain wheel	2	
4	GB/T 276-1994	Bearing 6204	2	
5	GB/T 893.1-1986	Circlips for holes 47	2	
6	GTWY8-320202	Chain wheel rod	1	
7	GTWY8-320401	Chain terminal	1	

Figure 2-8 3-3 Mast Chain Wheel Assembly

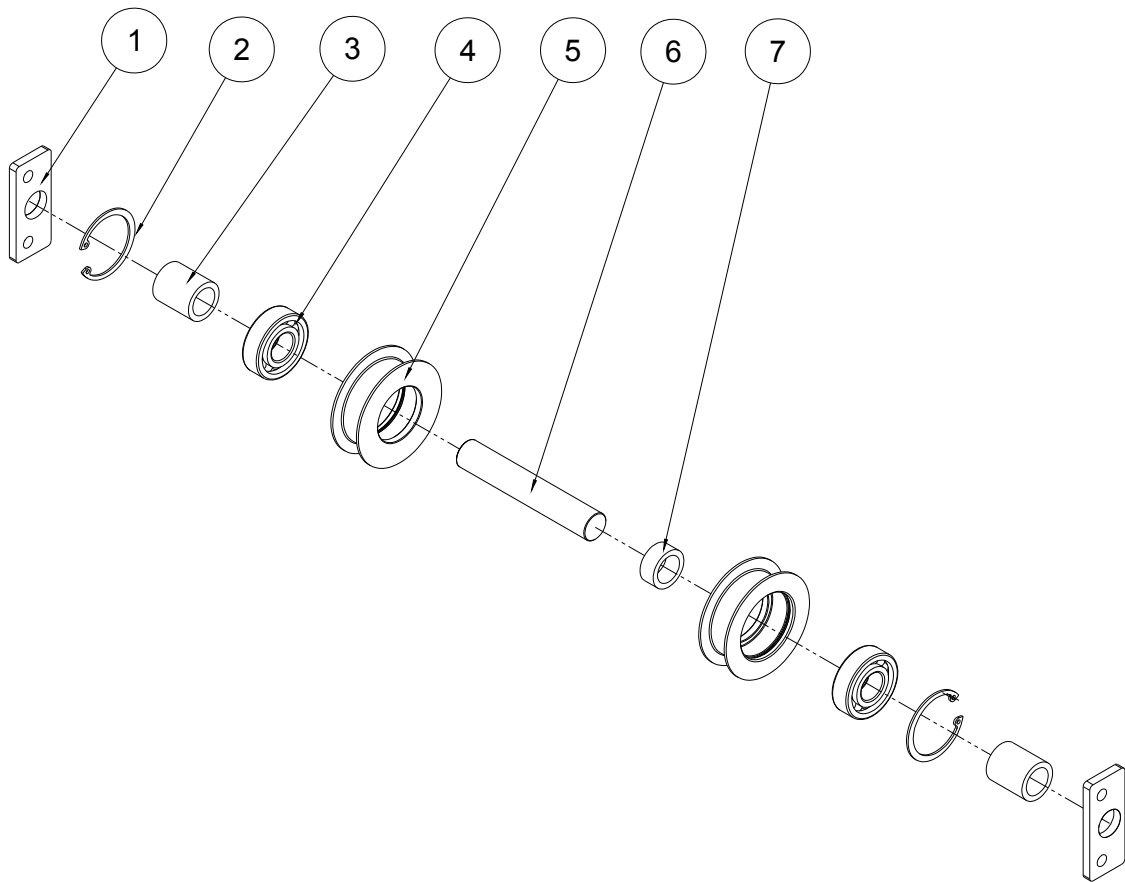


Figure 2-8 3-3 Mast Chain Wheel Assembly

Item	Part Number	Description	Qty.	Remark
1	GTWY8-320201	Chain wheel supporting plate	2	
2	GB/T 893.1-1986	Circlips for holes 47	2	
3	GTWY8-320205	Bushing (2)	2	
4	GB/T 276-1994	Bearing 6204	2	
5	GTWY8-320203	Chain wheel	2	
6	GTWY8-320202	Chain wheel rod	1	
7	GTWY8-320204	Bushing (1)	1	

Figure 2-9 4-4 Mast Chain Wheel Assembly

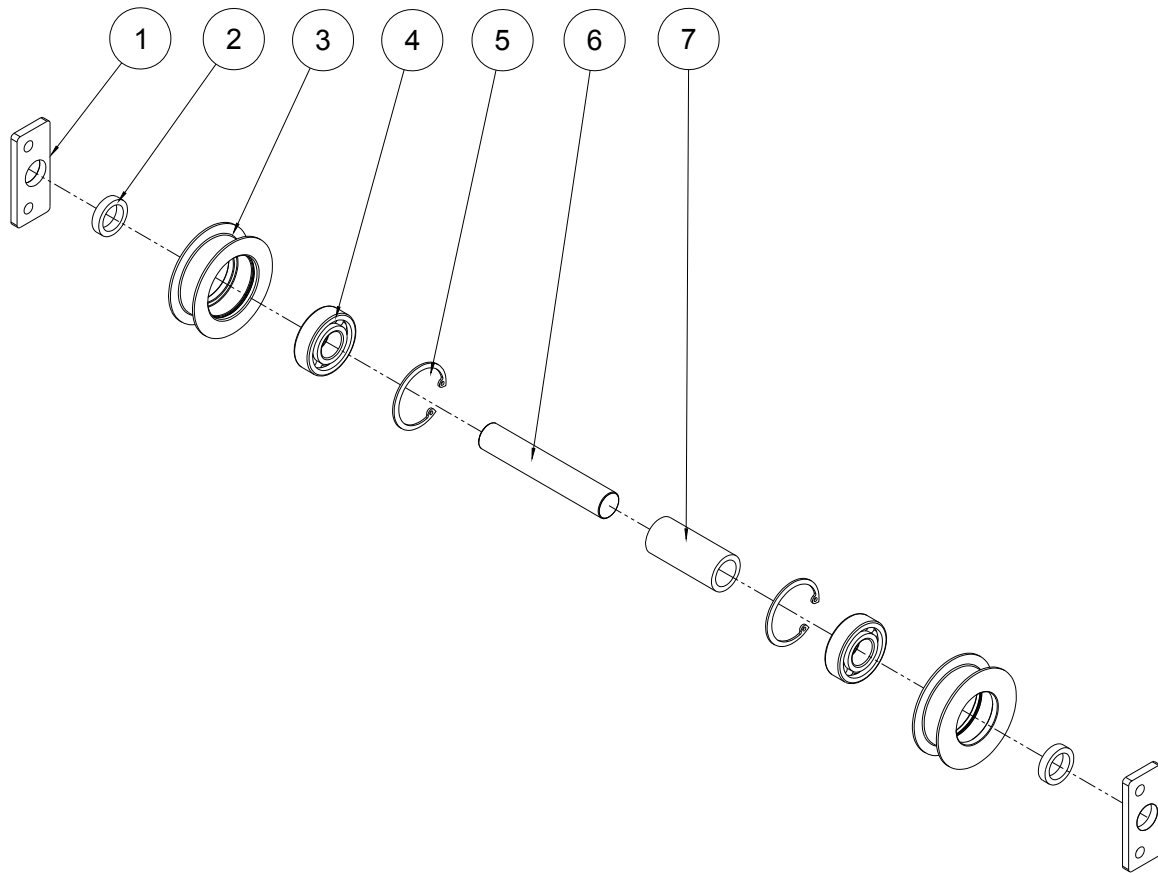


Figure 2-9 4-4 Mast Chain Wheel Assembly

Item	Part Number	Description	Qty.	Remark
1	GTWY8-320201	Chain wheel supporting plate	2	
2	GTWY8-320302	Bushing (4)	2	
3	GTWY8-320203	Chain wheel	2	
4	GB/T 276-1994	Bearing 6204	2	
5	GB/T 893.1-1986	Circlips for holes 47	2	
6	GTWY8-320202	Chain wheel rod	1	
7	GTWY8-320301	Bushing (3)	1	

Platform

Section 3

Figure 3-1 Platform and Mast Installation (Standard Platform)

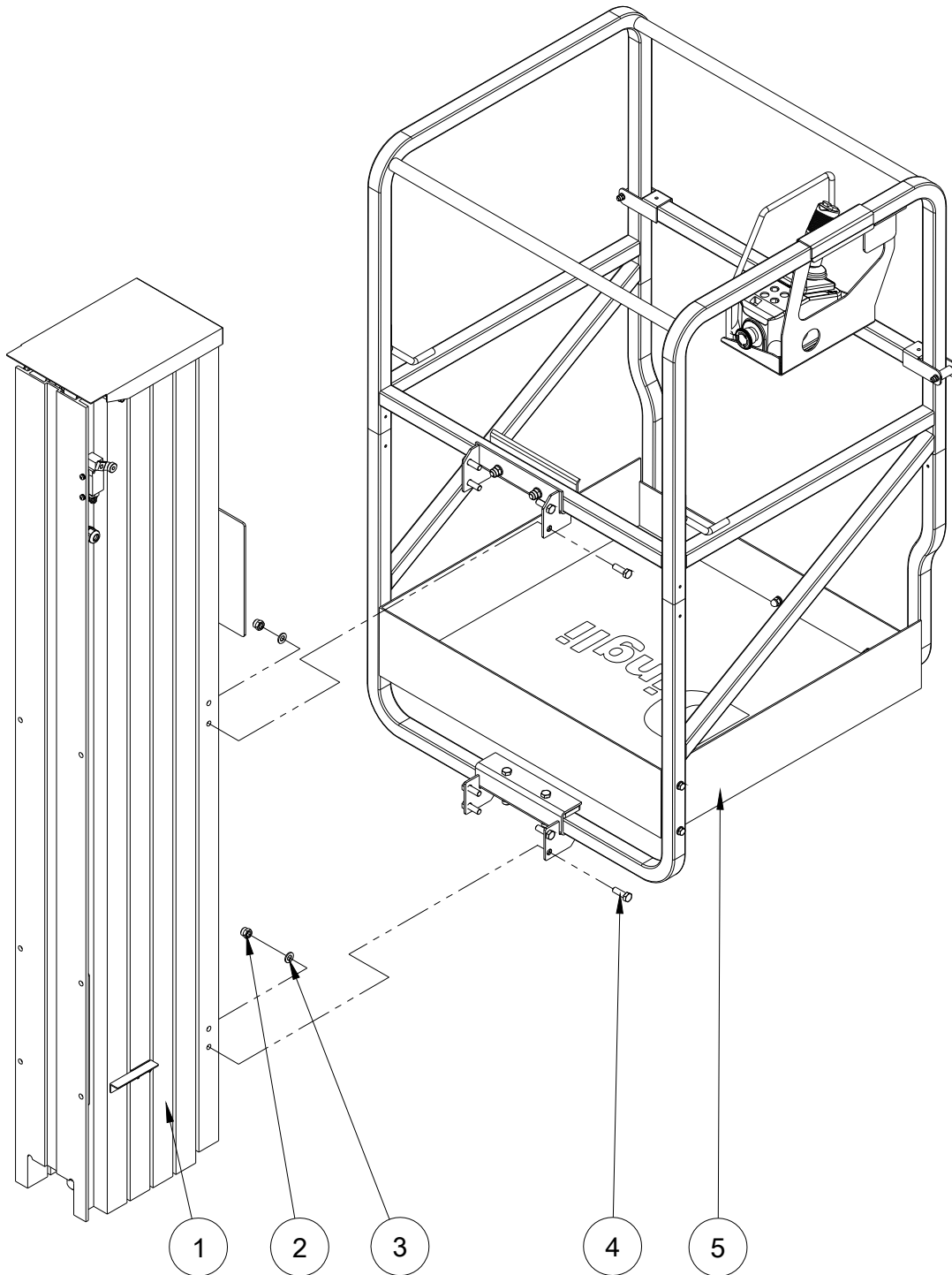


Figure 3-1 Platform and Mast Installtion (Standard Platform)

Item	Part Number	Description	Qty.	Remark
1	AMWP8-1100-320000	Mast assembly	1	AMWP8-1100
	AMWP9.5-1100-320000	Mast assembly	1	AMWP9.5-1100
2	GB/T 6182-2000	Nut M10	8	
3	GB/T 97.1-2002	Washer 10	8	
4	GB/T 5783-2000	Bolt M10×30	8	
5	AMWP8-1100-410000	Platform assembly	1	

Figure 3-2 Platform and Mast Installtion (Extended Platform)

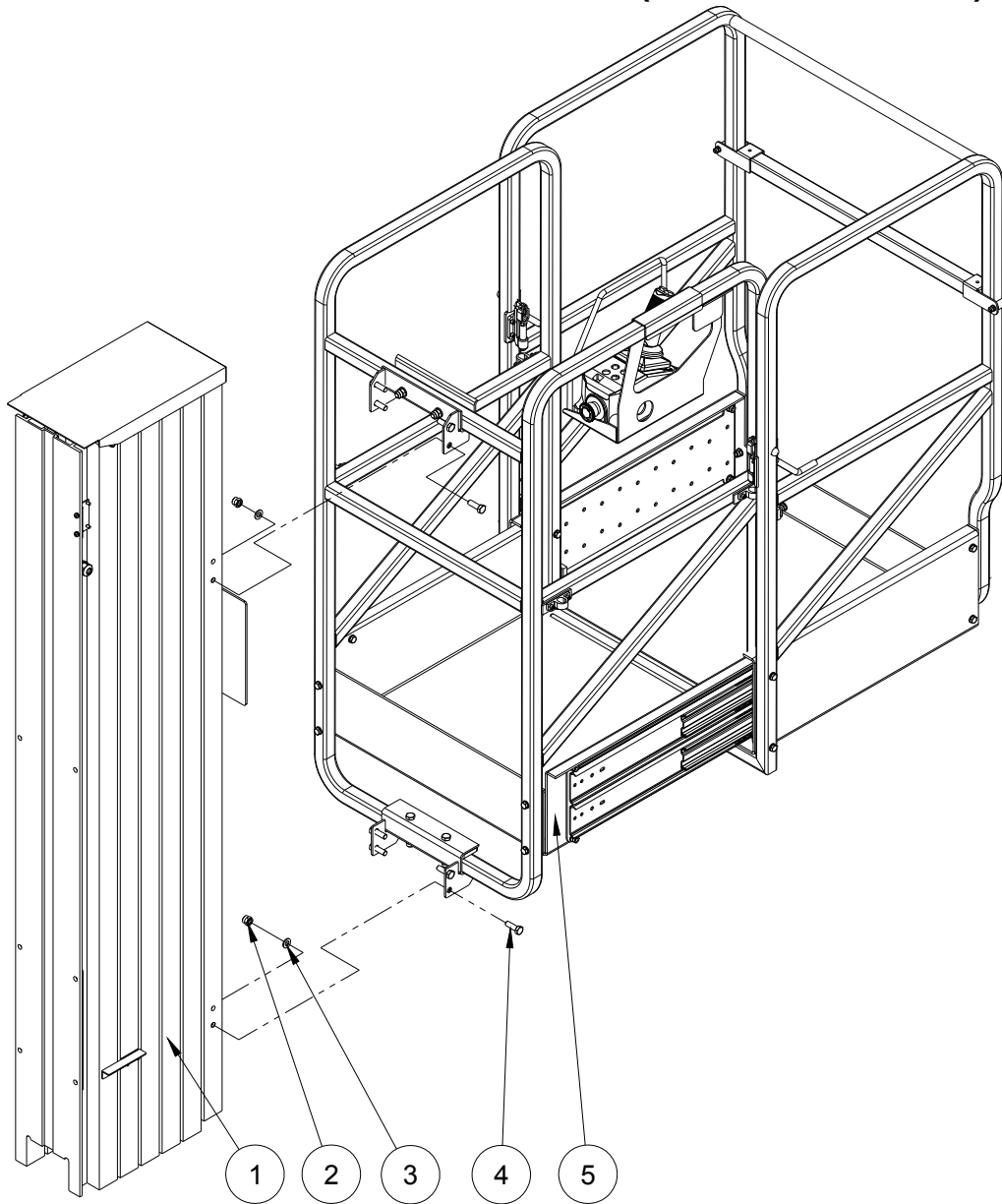


Figure 3-2 Platform and Mast Installtion (Extended Platform)

Item	Part Number	Description	Qty.	Remark
1	AMWP8-1100-321000	Mast assembly	1	AMWP8-1100
	AMWP9.5-1100-321000	Mast assembly	1	AMWP9.5-1100
2	GB/T 6182-2000	Nut M10	8	
3	GB/T 97.1-2002	Washer 10	8	
4	GB/T 5783-2000	Bolt M10×30	8	
5	AMWP8-1100-431000	Platform assembly	1	

Figure 3-3 Platform Assembly (Standard Platform)

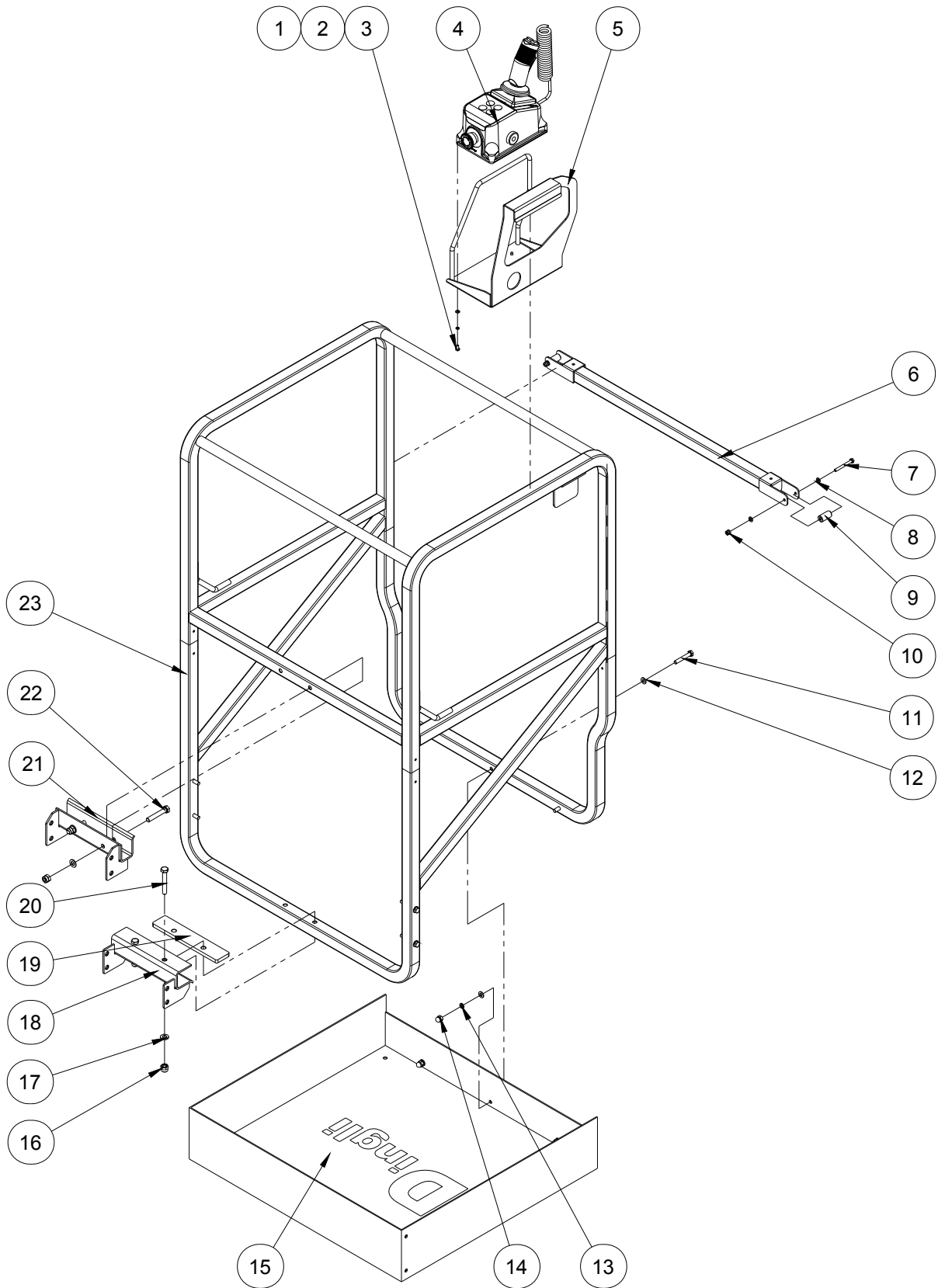


Figure 3-3 Platform Assembly (Standard Platform)

Item	Part Number	Description	Qty.	Remark
1	GB/T 818-2000	Screw M5×10-H	4	
2	GB/T 93-1987	Spring washer 5	4	
3	GB/T 97.1-2002	Washer 5	4	
4	JCPT1212HD-720100	Platform control box	1	
5	TYSBZ-001	Seat of platform control box	1	
6	AMWP8-1000-450120	Slip pole	1	
7	GB/T 5783-2000	Bolt M6×55	2	
8	GB/T 97.1-2002	Washer 6	4	
9	AMWP8-1000-450101	Idler wheel	2	
10	GB/T 6182-2000	Nut M6	2	
11	GB/T 5783-2000	Bolt M8×50	7	
12	GB/T 97.1-2002	Washer 8	14	
13	GB/T 93-1987	Spring washer 8	7	
14	GB/T 923-1988	Nut M8	7	
15	AMWP8-1000-410001	Worktable	1	
16	GB/T 6182-2000	Nut M10	4	
17	GB/T 97.1-2002	Washer 10	4	
18	AMWP8-1000-410400	Lower bracket	1	
19	AMWP8-1000-410002	Cushion	1	
20	GB/T 5783-2000	Bolt M10×65	2	
21	AMWP8-1000-410300	Upper bracket	1	
22	GB/T 5783-2000	Bolt M10×60	2	
23	AMWP8-1000-410100	Guardrail weldment	1	

Figure 3-4 Platform Assembly (Extended Platform)

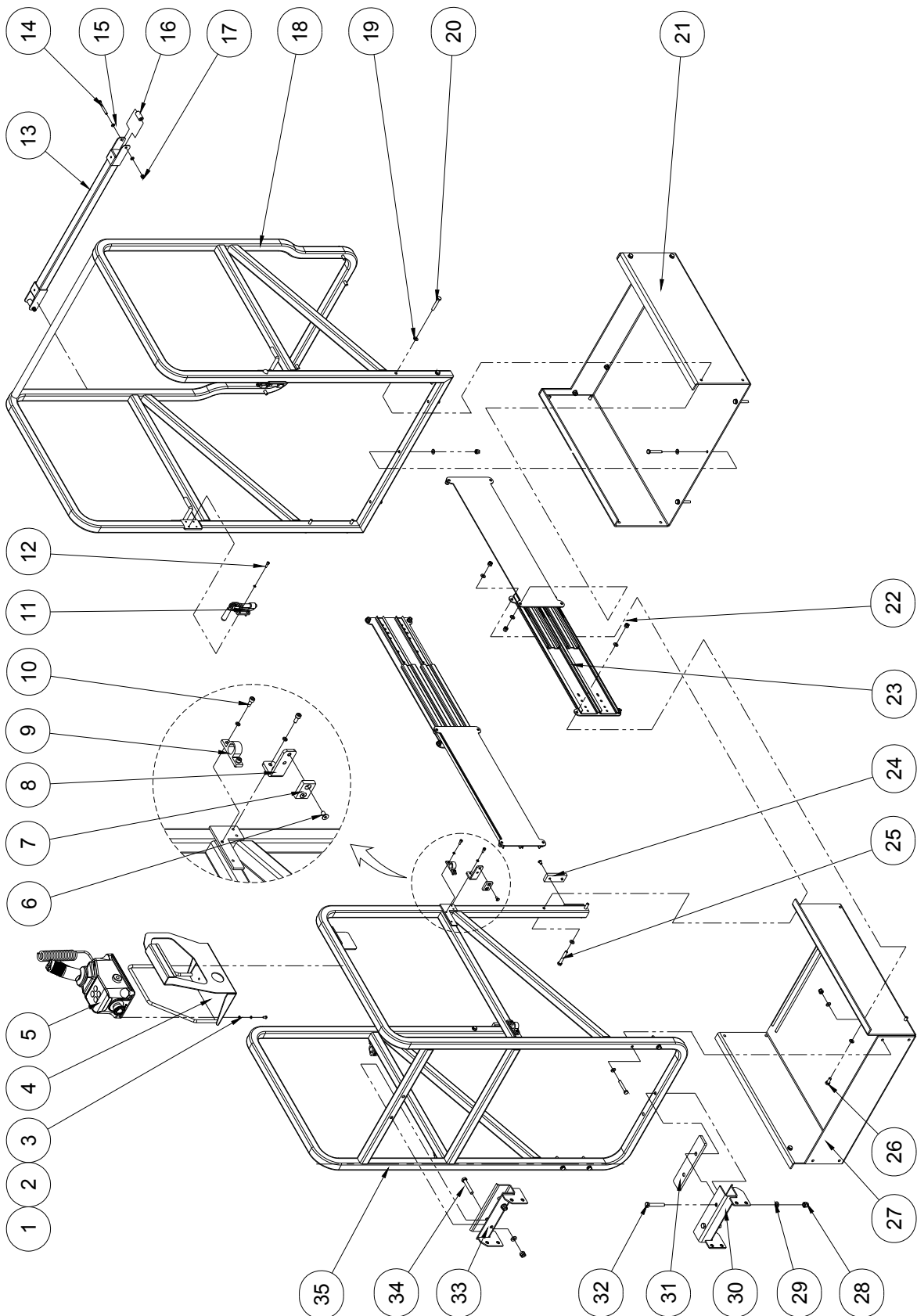


Figure 3-4 Platform Assembly (Extended Platform)

Item	Part Number	Description	Qty.	Remark
1	GB/T 818-2000	Screw M5×10-H	4	
2	GB/T 93-1987	Spring washer 5	24	
3	GB/T 97.1-2002	Washer 5	4	
4	TYSBZ-001	Seat of platform control box	1	
5	JCPT0507DC-720100	Platform control box	1	
6	GB/T 70.3-2000	Screw M6×12	8	
7	AMWP8-1000-431105	Upper obstructive block	2	
8	AMWP8-1000-431104	Seat of upper obstructive block	2	
9	AMWP8-1000-431102	Obstructive block	4	
10	GB/T 70.1-2000	Screw M5×12	12	
11	DYT2-27-36010	Inserted pin 305	2	
12	GB/T 70.1-2000	Screw M5×16	8	
13	AMWP8-1000-451120	Slip pole	1	
14	GB/T 5783-2000	Bolt M6×55	2	
15	GB/T 97.1-2002	Washer 6	4	
16	AMWP8-1000-450101	Idler wheel	2	
17	GB/T 6182-2000	Nut M6	2	
18	AMWP8-1000-431220	Extended frame	1	
19	GB/T 97.1-2002	Washer 8	54	
20	GB/T 5783-2000	Bolt M8×50	15	
21	AMWP8-1000-431201	Extended worktable	1	
22	GB/T 6182-2000	Nut M8	27	
23	AMWP8-1000-431300	Glide track	2	
24	AMWP8-1000-431103	Front obstructive block	2	
25	GB/T 5783-2000	Bolt M8×55	4	
26	GB/T 5783-2000	Bolt M8×20	8	
27	AMWP8-1000-431101	Fixed worktable	1	
28	GB/T 6182-2000	Nut M10	4	
29	GB/T 97.1-2002	Washer 10	4	

Figure 3-4 Platform Assembly (Extended Platform)

Item	Part Number	Description	Qty.	Remark
30	AMWP8-1000-410400	Lower bracket	1	
31	AMWP8-1000-410002	Cushion	1	
32	GB/T 5783-2000	Bolt M10×65	2	
33	AMWP8-1000-410300	Upper bracket	1	
34	GB/T 5783-2000	Bolt M10×60	2	
35	AMWP8-1000-431120	Fixed frame	1	

Figure 3-5 Platform Control Box

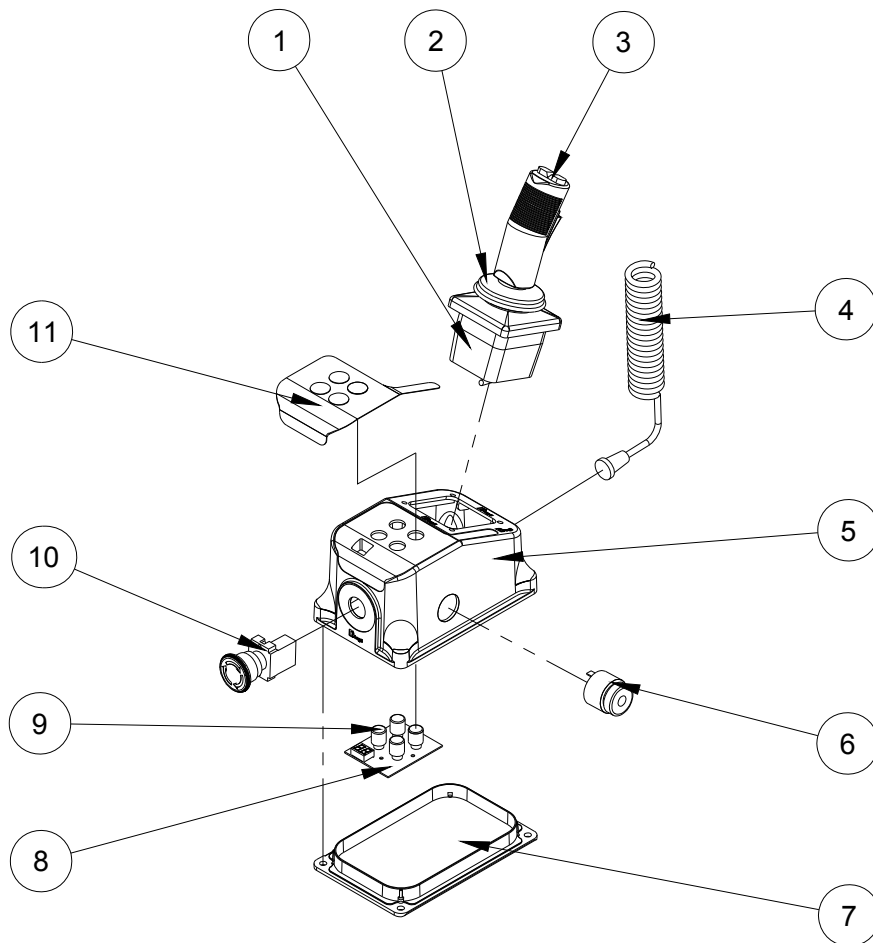


Figure 3-5 Platform Control Box

Item	Part Number	Description	Qty.	Remark
1	JCPT1212HD-720110	Joystick	1	
2	JCPT1212HD-720101	Dustproof cover	1	
3	JCPT1212HD-720120	Switch boot	1	
4	JCPT1212HD-720130	Coil cord	1	
5	JCPT1212HD-720141	Platform control box	1	
6	JCPT1212HD-720102	Alarm	1	
7	JCPT1212HD-720141	Platform control box bottom	1	
8	JCPT1212HD-720150	PC board	1	
9	JCPT1212HD-720103	Button	4	
10	JCPT1212HD-720160	Emergency stop switch	1	
11	9114025	Decal	1	

Section
4

Hydraulic System

Figure 4-1 Lift Cylinder Assembly

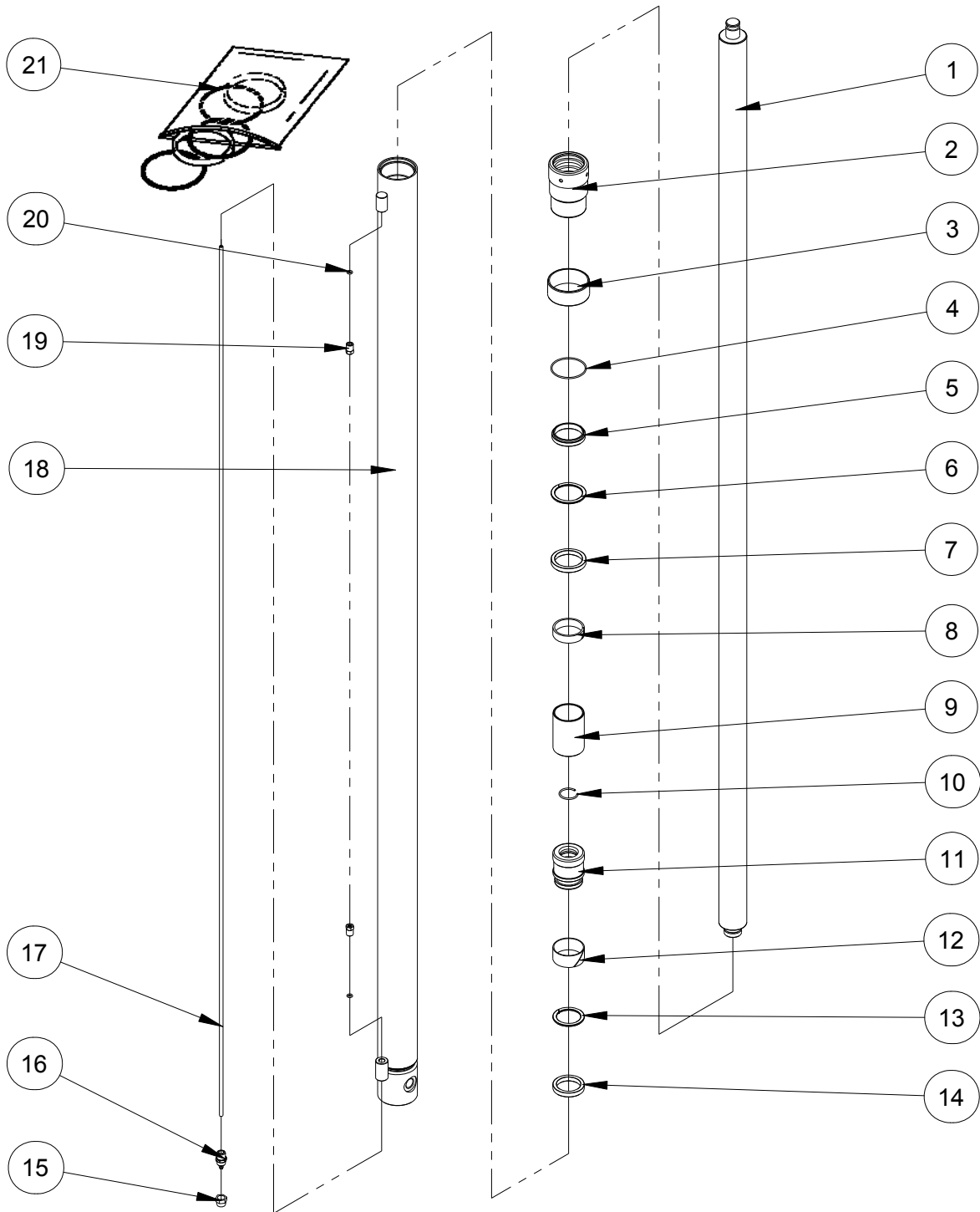


Figure 4-1 Lift Cylinder Assembly

Item	Part Number	Description	Qty.	Remark
1	ZJ-DL-DG(SG)-03(1599)	Piston pole	1	
2	ZJ-DL-DG(SG)-04	Sheath	1	
3	ZJ-DL-DG(SG)-07	Plastic sheath	1	
4	GB/T 3452.1-2005	O ring 47.5×1.8	1	
5	DH 40	Dustptooof ring d40	1	
6	40×50×3	Circle 40	1	
7	USH 40	U sealed ring 40×50×6	1	
8	12×2.5	Thimble	1	
9	ZJ-DL-DG(SG)-02(62)	Thimble	1	
10	GB/T 895.2-1986	Circle 25	1	
11	ZJ-DL-OPK-04	Piston	1	
12	20×2.5	Thimble	1	
13	35×45×2	Circle 35	1	
14	USH-35	Seal ring	1	
15	TYGJT-302	Nut	1	
16	ZJ-DL-DG(SG)-06	Bolt	1	
17	5×3.5(1492)	Thin steel tube	1	
18	ZJ-DL-DG(SG)-01(1565)	Outward steel tube	1	
19	ZJ-DL-DG(SG)-05	Bolt	2	
20	GB/T 3452.1-2005	O ring 4.5×1.8	2	
21	ZJ-DL-DG(SG)-00	Seal kit	1	

Figure 4-2 Steering Cylinder Assembly

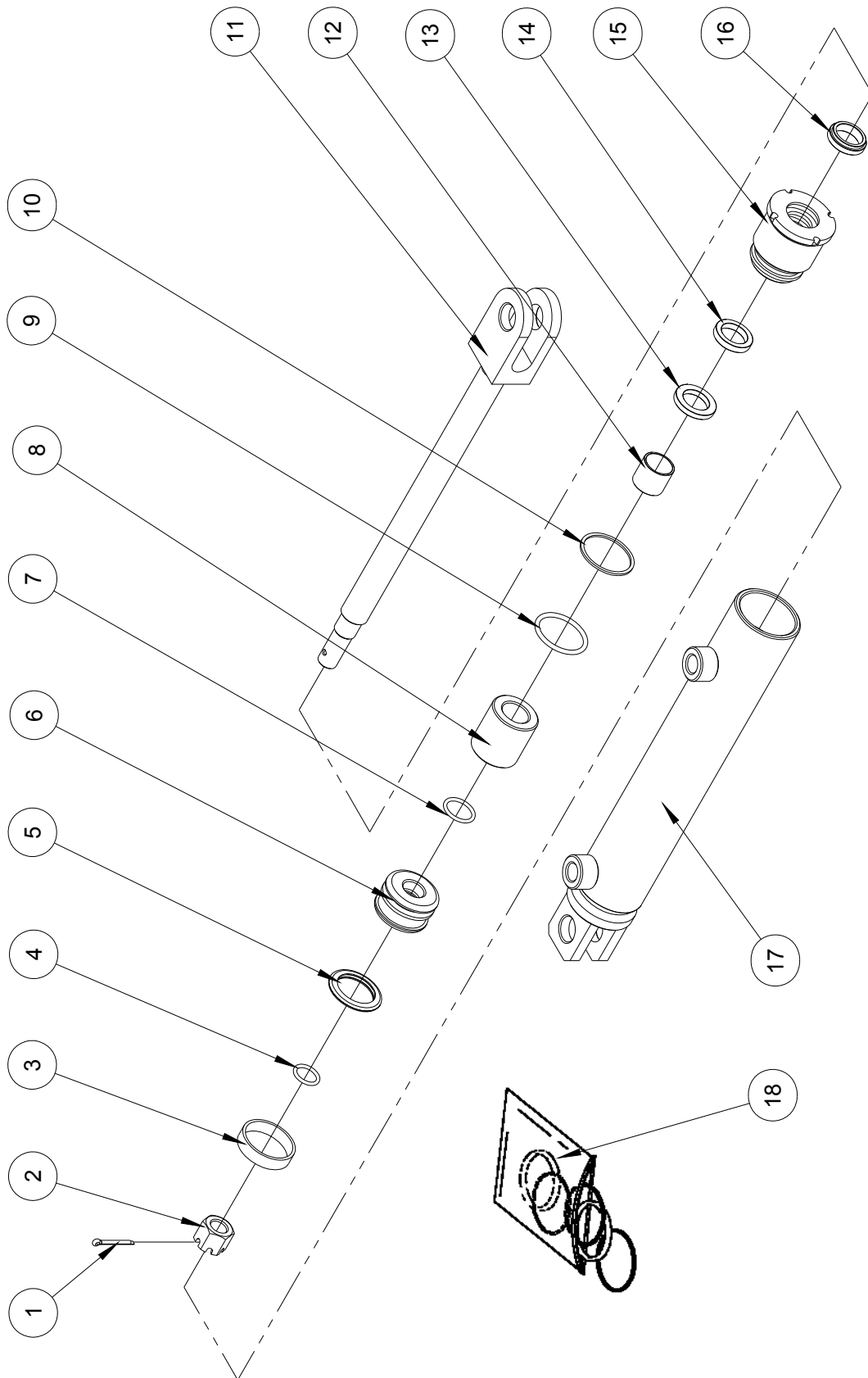


Figure 4-2 Steering Cylinder Assembly

Item	Part Number	Description	Qty.	Remark
1	GB/T 91-2000	Pin 3.2×26	1	
2	GB/T 6178-1988	Nut M14×1.5	1	
3	d40×9.4×2.5	Thimble	1	
4	GB1235-76	O ring 20×2.4	1	
5	D40×29×4.2	Seal ring	1	
6	JCPT1212HD-53300C-2	Piston	1	
7	GB1235-76	O ring 24×2.4	1	
8	JCPT0807HD-112300-1 B	Bushing	1	
9	GB1235-76	O ring 40×3.1	1	
10	d40.5×36×1.5	Circle	1	
11	JCPT0807HD-112300-1 00A	Piston pole	1	
12	SF-1/20×30-20	Bearing	1	
13	d20×30.7×4.2	Seal ring	1	
14	d20×28×5	Seal ring	1	
15	JCPT1212HD-53300C-1 E	Sheath	1	
16	D20×31.8×5/9	Dustproof ring d20	1	
17	JCPT0807HD-112300-2 00C	Outward steel tube	1	
18	JCPT0807HD-112300	Seal kit	1	

Figure 4-3 Hydraulic Hoses and Fittings

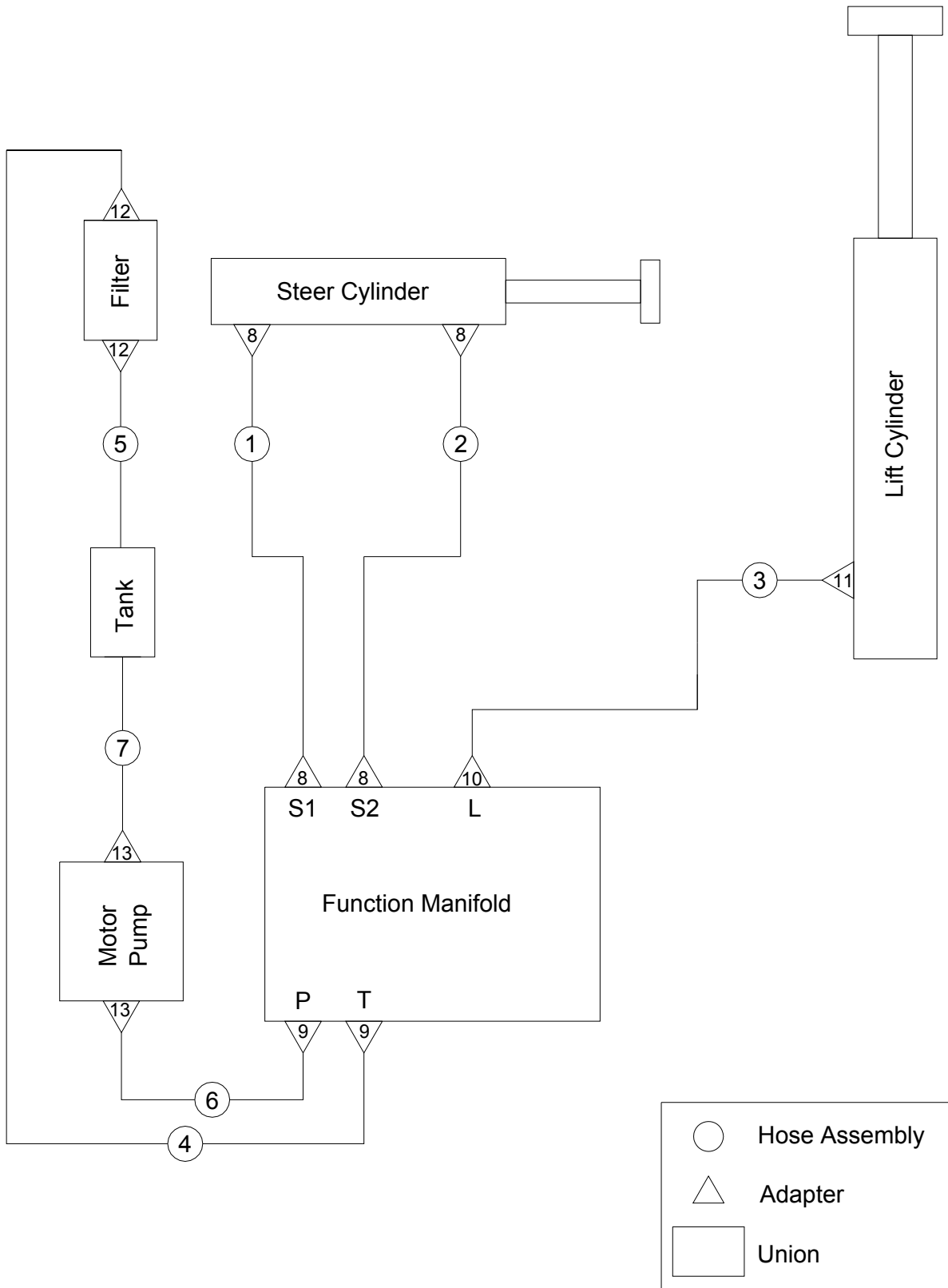


Figure 4-3 Hydraulic Hoses and Fittings

Item	Part Number	Description	Qty.	Remark
1	1SN06-M21513-04-14/M 21593-04-14-1800	Steer hose assembly	1	
2	1SN06-M21513-04-14/M 21593-04-14-1600	Steer hose assembly	1	
3	1SN08-M21513-05-16/M 21513-05-16-580	Lift cylinder hose assembly	1	
4	1SN12-M21513-08-22/M 21593-08-22-700	Manifold to filter hose assembly	1	
5	1SN12-M21513-08-22/M 21593-08-22-1360	Tank return hose assembly	1	
6	2SN12-M21513-08-22/M 21543-08-22-700	Pressue hose assembly	1	
7	1SN12-M21513-08-22/M 21543-08-22-860	Draw hose assembly	1	
8	GE08LM14×1.5EDOMD	Straight fitting	4	
9	GE15LMEDOMD	Straight fitting	2	
10	GE10LM16×1.5EDOMD	Straight fitting	1	
11	GE10LM16×1.5EDL92	Straight fitting	1	
12	GE15LR3/4EDOMD	Straight fitting	2	
13	GE15LR1/2EDOMD	Straight fitting	2	

Figure 4-4 Function Manifold

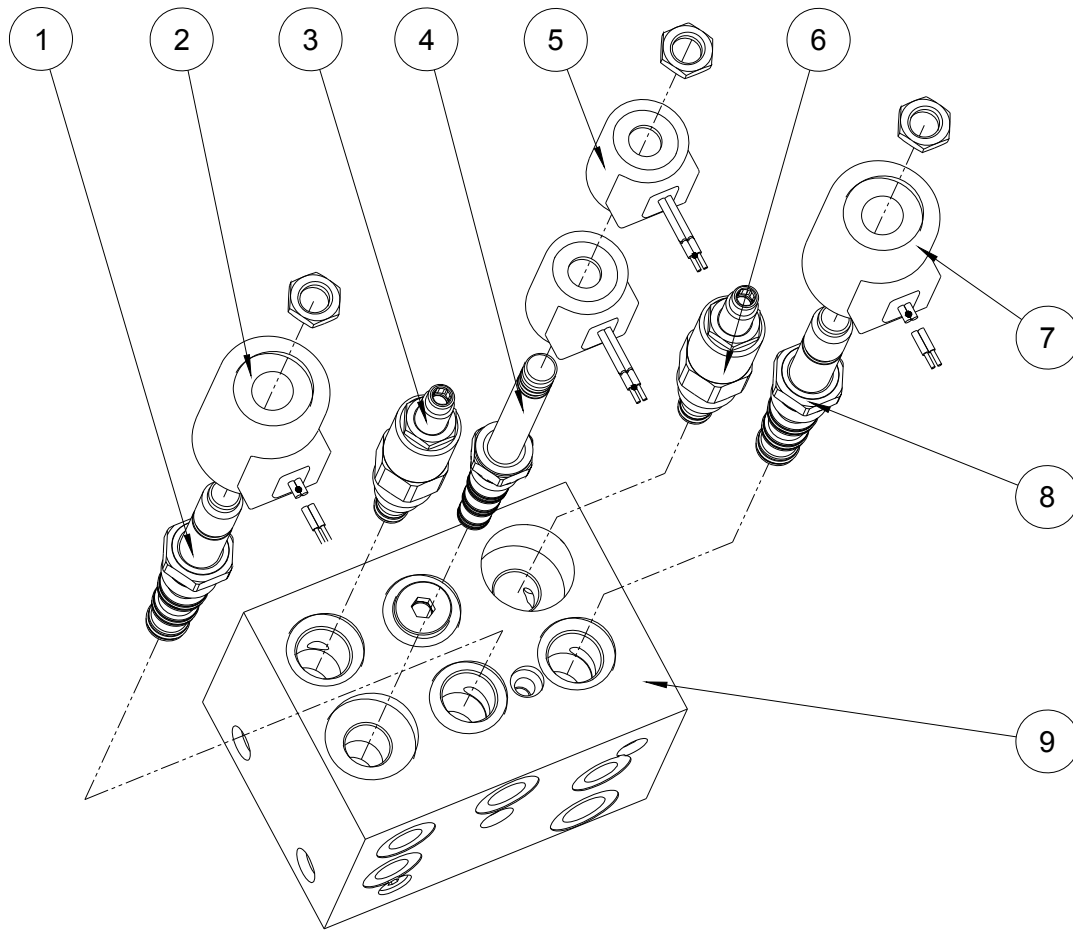


Figure 4-4 Function Manifold

Item	Part Number	Description	Qty.	Remark
1	SV38-20J-0-N-20DS	Solenoid valve	1	
2	COIL38-DL	Coil	1	
3	FRRV10-41FA-0-N-M2.8	Priority Flow Regulator	1	
4	SV08-47A-0-N-20DS	Solenoid valve	1	
5	COIL08-DL	Coil	2	
6	RV08-22A-0-N-35/M180	Main overflow valve	1	
7	COIL10-DL	Coil	1	
8	SV10-40-0-N-20DS	Solenoid valve	1	
9	DPH-1121E-09B	Valve body	1	